

上海固好包装机械有限公司

SHANGHAI KUKO PACKING MACHINERY CO., LTD.

☎ +86-(0)21-6974 6020/6974 4452/5226 5219

✉ info@goodpacking.com.cn ☎ 400-698-6306

🌐 +86-(0)21-6221 9769 🌐 www.goodpacking.com.cn

📍 上海总公司地址：上海市松江区天九路408号 (201603)

Shanghai Headquarter Add.: No. 408, Tianjiu Road, Songjiang District, Shanghai, China (201603)

📍 江苏分公司地址：江苏省昆山市周庄镇高勇东路1号 (215325)

Jiangsu Branch Add.: No. 1, East Gaoyong Road, Zhouzhuang Town, Kunshan City, China (215325)



KUKO[®]
Let shrink talk



GOOD PACKING
GOOD SERVICES

**SHANGHAI KUKO
PACKING MACHINERY**

Catalogue
产品手册



上海固好包装机械有限公司
SHANGHAI KUKO PACKING MACHINERY CO., LTD.



企业简介 COMPANY PROFILE

【企业精魂 成就标杆】

以匠心智造，铸包装典范。自2004年创立于上海松江佘山，深耕薄膜收缩包装领域超二十二年，成就智能包装装备行业标杆。

【品质为基 荣耀见证】

高新技术企业；
中国包装机械十大品牌；
上海市专精特新企业；
连续十五年“重合同守信用”单位；
中国智能包装委员会副会长单位；
中国包装机械工业委员会五星认证单位；

【智能矩阵 产品定制】

二次包装全自动解决方案：
覆盖冷/热收缩技术；低、中、高速全机型；2000+定制化方案数据库；
光伏PACK生产线、物流PACK生产线、门板PACK生产线、管类PACK生产线、模组PACK生产线、EPS PACK生产线、铝型材PACK生产线、茶叶PACK生产线、保健品PACK生产线；

【科技赋能 价值主张】

“五化”智造标准：
设计智能化 | 生产精益化 | 组装模块化 | 调试标准化 | 运维可视化
以科技赋能包装，让中国智造闪耀世界舞台；

固守匠心 好行致远

我们期待与您携手共塑包装工业的智能未来！

【智造基因 全球布局】

2006年斥资800万引进德国IPG激光切割系统；累计获发明专利5项，实用新型专利33项；通过ISO9001、欧盟CE双认证体系；
2008 昆山基地 | 20亩智造中心；
2020 佘山总部 | 30亩研发中枢；2024 新增万平四层智能车间；
两地联动构建辐射全球的智造网络；

【生态联盟 战略合作】

与3M、宝洁、小米、宁德时代等全球300+领军企业建立战略合作；
联合淮安信息大学、上海政法学院等高校搭建产学研平台；
每年提供100+大学生实践岗位；

【服务承诺 三阶护航】

24小时响应机制；
全生命周期管理体系；
“三阶护航”服务体系：
售前方案定制→产线实施指导→终身运维支持；
服务网络覆盖160+国家和地区；

【智能包装 共塑未来】

以工业4.0为蓝图，构建“智能包装生态系统”。我们致力于让每件产品都成为行业标杆，用中国智造重新定义包装美学，让世界看见东方工业设计的非凡魅力。



Enterprise Spirit Achievement Benchmark

With ingenuity and wisdom, we create a model of packaging. Since the company was founded in Sheshan, Songjiang, Shanghai in 2004, we have been deeply involved in the field of shrink film packaging for more than 22 years and have become a benchmark in the intelligent packaging equipment industry.

Quality as The Basis Witness of Glory

National High-Tech Enterprise;
Top Ten Brands of Packaging Machinery in China;
Shanghai Innovation Enterprise;
'Contract-Honoring and Promise-Keeping' Unit for Fifteen Consecutive Years;
Five-Star Certified Unit Approved by Shanghai Packaging Technology Association;
The Vice-chairman Unit of China Intelligent Packaging Committee.

Smart Matrix Product Customization

Fully automatic solution for secondary packaging:
Covering cold/heat shrink technology; low, medium and high-speed full range of models; 2000+ customized solution database.
Photovoltaic PACK line, logistics PACK line, door panel PACK line, pipe PACK line, module PACK production line, EPS PACK production line, aluminum profile PACK line, tea box PACK line, health care product PACK line.

Technology Empowerment Value Proposition

Five Modernizations for Intelligent Manufacturing:
Intelligent design | Lean production | Modular assembly | Standardized debugging | Visualized operation and maintenance

Adhere to the craftsmanship and go far.

We will look forward to working with you to jointly shape the smart future of the packaging industry!



Smart Manufacturing Gene Global Layout

In 2006, our company invested RMB 8 million to introduce the German IPG laser cutting system. We have obtained 5 invention patents and 33 utility model patents. We have passed ISO9001 and EU CE dual certification systems.
2008 Kunshan Base | 20 acres of smart manufacturing center;
2020 Sheshan Headquarters | 30 acres of R&D center; 2024 newly add 10,000 square meters of four layers smart workshop;
The two places work together to build a smart manufacturing network that radiates the world;

Ecological Alliance Strategic Cooperation

Establish strategic cooperation with 300+ global leading companies such as 3M, Procter & Gamble, Xiaomi, CATL, etc.;
Cooperate with universities such as Hua'an University of Information and Shanghai University of Political Science and Law to build an industry-university-research platform;
Provide 100+ practical positions for university students every year;

Service Commitment Three-level Escort

24-hour response mechanism;
Whole life cycle management system;
"Three-level escort" service system: pre-sales solution customization → production line implementation guidance → lifelong operation and maintenance support;
The service network covers 160+ countries and regions;

Smart Packaging Shaping the Future

Using Industry 4.0 as a blueprint to build an "intelligent packaging ecosystem". We are committed to making each product an industry benchmark, redefining packaging aesthetics with Chinese smart manufacturing, and letting the world see the extraordinary charm of oriental industrial design.



合作伙伴 COOPERATIVE PARTNERS



我们的客户遍布全世界……
Our clients are all over the world……

企业荣誉 COMPANY HONOR

固好的自信与骄傲来自客户的好评，来自政府和社会的支持，来自业界同仁的信任。翻出平日里的荣誉证书，固好人坚信：已有的荣誉与骄傲，应让其在我们手中延续；将有的荣誉与骄傲，还会从我们手中创造……

Self-confidence and prides of KUKO staffs come from good customer evaluations, supports from the government and society and trusts from industry colleagues. Opening our certificates of honor, KUKO staffs believe: Existing honor and prides should be allowed to continue in our hands; the prospective honor and prides will be created from our hands...



供应商 Main Suppliers



主要客户 Main Clients



全自动垂直冷拉伸套膜包装机

Fully-auto Vertical Cold Stretch Hooding Machine

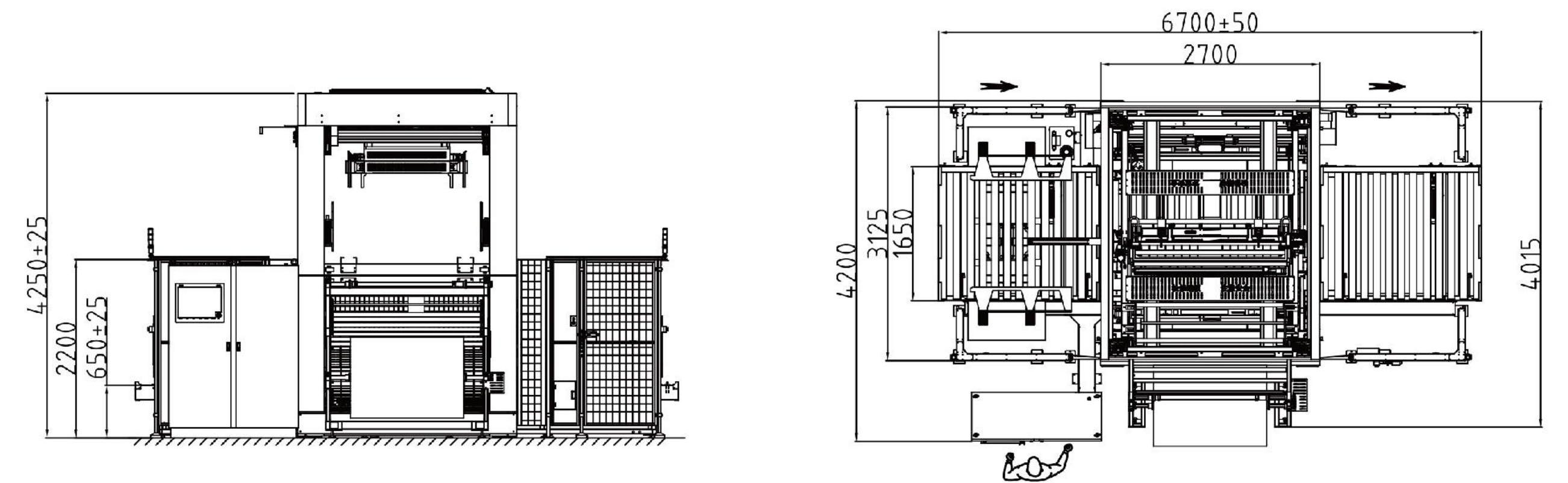


产品特点 Product Features

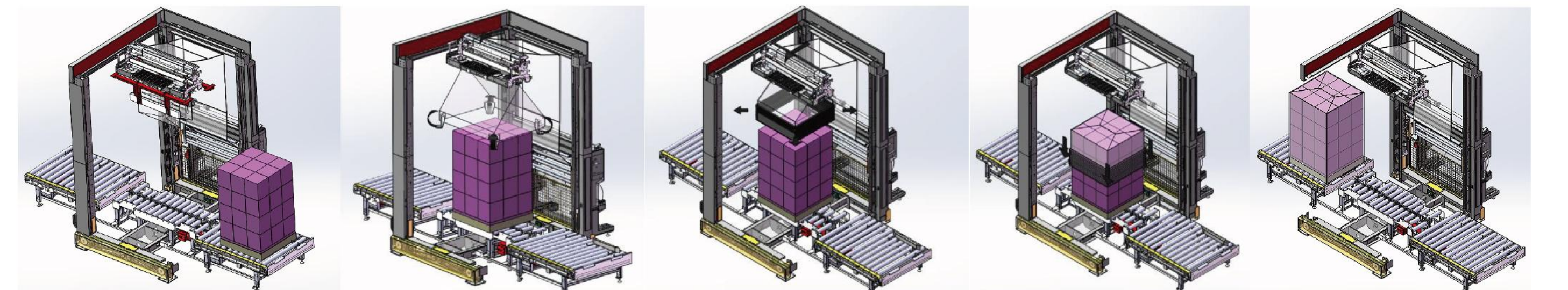
- 适用于60~200微米厚度的PE拉伸膜；
For 60~200 microns thickness PE stretch hood film;
- 适用于运输，堆垛物品被收缩紧密的靠在一起，能有效的防止脱落；
The products which are packed together with the film are very suitable for transportation. And it can effectively prevent product shedding;
- 拉伸套膜膜的透明度比传统的PE膜高，能清楚的看到产品的条形码和标签，能更好的体现产品的广告、展示价值；
Stretch hood film offers higher transparency than traditional PE film, ensuring barcodes and trademarks are clearly visible, which enhance the product's advertising and visual display value;
- 薄膜顶部封口后形成的袋子可以更好的保护产品；
The film sealed on the top becomes a bag which can protect the products better;
- 易于维修：机器顶部拉伸机构降至地面的独特功能，使维修和维护更容易、更快、更安全。膜卷的更换通过自动升降在地板杠杆上进行；
Easy servicing: The unique feature of lowering the top stretch system of the machine descends to floor level for even easier, faster and safer service and maintenance. Film rolls replacement take place at floor lever by automatic lifting;
- 节省空间：空间在当今的生产中往往是非常重要的，特别是狭小的生产面积。此款是专为节能特点而设计，具有运行效率和可靠性；
The space saving: Space is often at a premium in today's production, and the small footprint in the packing area. Specially designed for operating efficiency and reliability with energy-saving features;
- 冷拉伸膜具有防水、防尘及防紫外线功能；
The stretch hood film can protect the products away from water, dust and UV rays;
- 冷拉伸膜无需使用热能，可节省能源并完全排除火灾或爆炸的危险；
Cold stretch hood film doesn't need heat energy. It is very eco-friendly and keep the products away from fire and explosion;
- 包装速度大约50~80托每小时，可以提升包装效率，节省人工；
The packaging speed is about 50~80 pallets/hour, which can improve packaging efficiency and save labor;
- 输送可以选择链条、链板或者滚筒；
The conveyor can be chain, chain plate or roller type;
- 节约膜成本：顶层膜放卷功能可节省高达10%的薄膜，并确保低消耗，同时消除了负载角落上的薄膜，使得胶片角度比正常厚约30%；
Film saving: The top film unwinding feature saves up to 10% film and ensures low film consumption. It eliminates fragile film on the loading corner and makes the film approx. 30% thicker than normal on the corners of the pallet;
- 包装站立力强；当托盘倾斜时，产品也可以保持原始包装形态；
The upright packing power is strong; when the pallet leans, the items keep standing;
- 节约能源：可持续发展和保护生态环境是当前全球大课题，我们采取实际行动，提供更环保的包装解决方案。
Energy Conservation: Sustainable development and ecological protection are a global priority. We take concrete actions to deliver more eco-friendly packaging solutions.



示意图 Layout



工作流程图 Working Flow

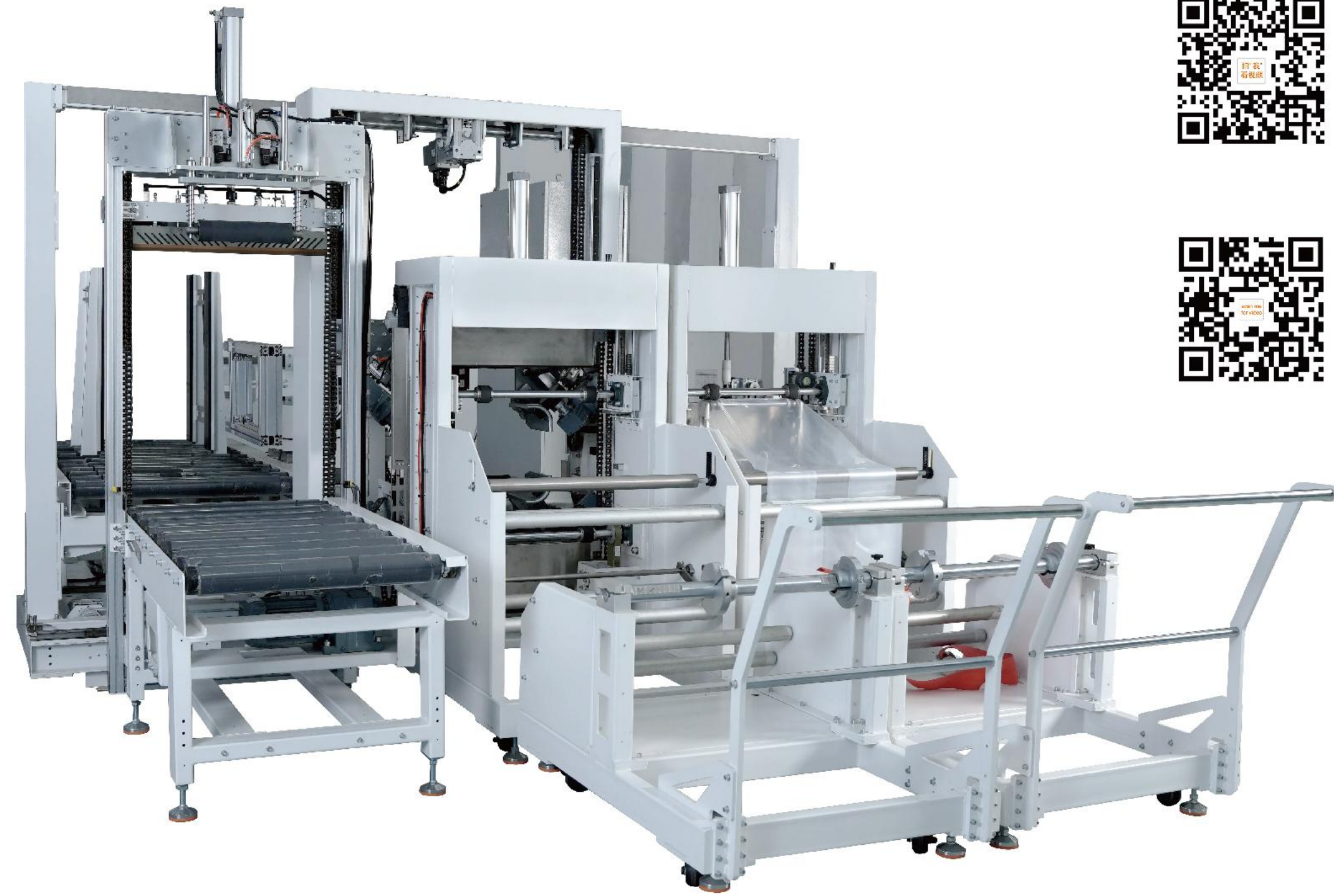


技术参数 Technical Parameter

型号 Model	SF-CS	外接气源 External Air Source	5~8 bar
功率 Power	16.5kw	电源 Power Supply	AC380/220V 3PH 50/60HZ
最大包装尺寸 Max. Packing Size L x W x H	1200 x 1200 x 1800mm	最大膜卷直径 Max. Diameter of Film Roll	1000mm
最小包装尺寸 Min. Packing Size L x W x H	800 x 800 x 800mm	最大膜卷重量 Max. Weight of Film Roll	1000kgs
包装速度 Packing Speed	50-80 pallets/hour	适用膜 Applicable Film	PE Stretch Hood Film
工作台高度 Working Table Height	650 ± 25mm	机械尺寸 Machine Size L x W x H	6700 x 4200 x 4250mm
载重 Load Capacity	3000kgs	毛净重 G./N. Weight	7200/6500kgs

全自动水平冷拉伸套膜包装机

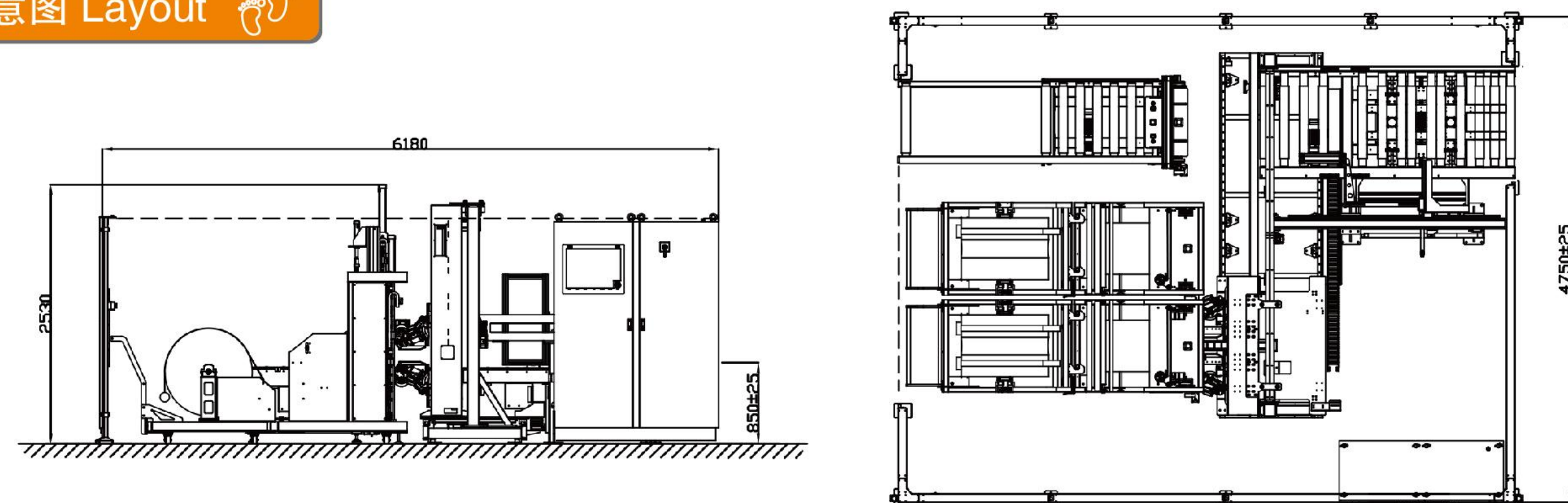
Fully-auto Horizontal Cold Stretch Hooding Machine



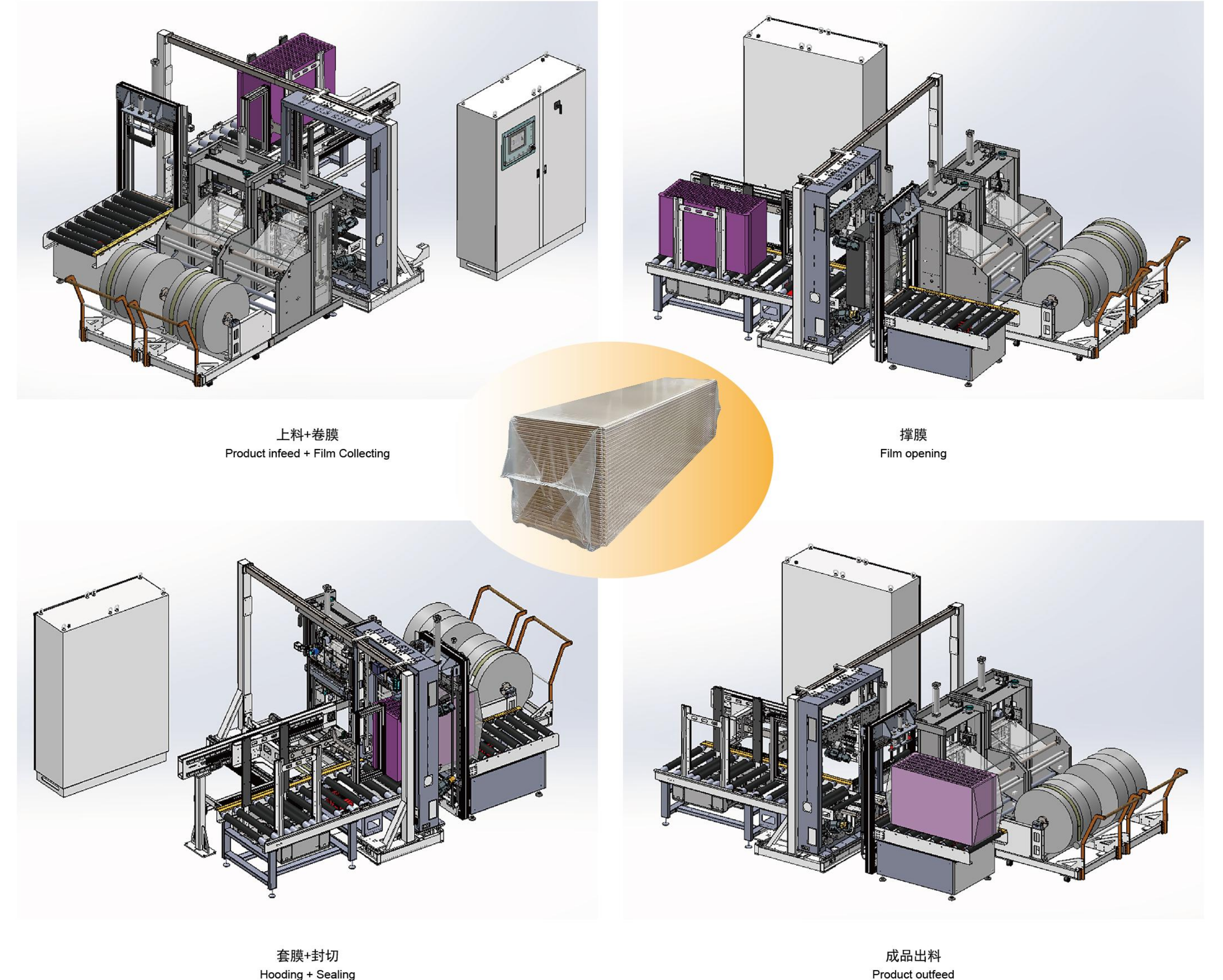
产品特点 Product Features

- 适合长且高产品：
Suitable for long and high products;
- 制袋、装袋、封口环节独立设计，互不干扰，产能最大化：
Bagging, hooding, sealing process are independently designed without mutual interference, maximizing production capacity;
- 伺服电机驱动切刀，包装与封切速度快，适应高速生产：
The sealing blade is driven by servo motor, enabling fast packaging and sealing speed to adapt to high-speed production;
- 滚筒采用高强度钢材，表面包覆60°丁腈橡胶，附着力强、运行稳定：
The rollers are made of high-strength steel and coated with 60° nitrile rubber, featuring strong adhesion and stable operation;
- 配备外置式薄膜卷设计，适配大规格膜卷。双膜卷可自动切换：
External film roll design is compatible with large-specification film rolls. Dual-film roll automatic switching;
- 支持尾部封口，实现六面贴合包装，满足高防潮要求：
Supports tail sealing to achieve six-sided fit packaging, meeting strict moisture-proof requirements;
- 适用于门窗附件、光伏板材、原纸材料、新能源等多个行业。
Suitable for multiple industries such as door and window accessories, photovoltaic panels, base paper materials and new energy products.

示意图 Layout



工作流程图 Working Flow

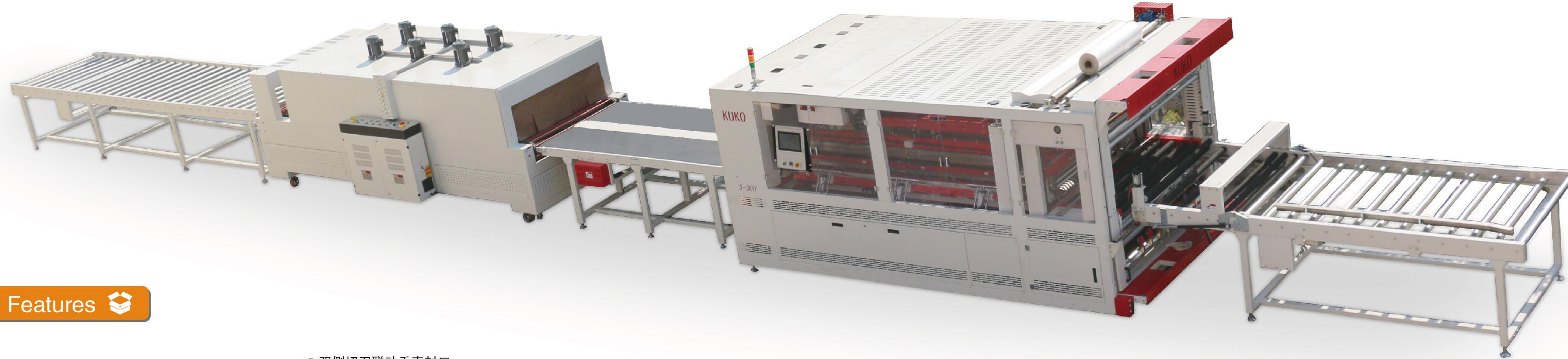


技术参数 Technical Parameter

型号 Model	SF-CSW	外接气源 External Air Source	5~8 bar
功率 Power	11kw	电源 Power Supply	AC220/380V 3PH 50/60HZ
封切长度 Blade Length	1300mm	最大膜卷直径 Max. Diameter of Film Roll	1000mm
最大包装尺寸 Max. Packing Size L x W x H	1500 x 520 x 850mm	最大膜卷重量 Max. Weight of Film Roll	1000kgs
最小包装尺寸 Min. Packing Size L x W x H	800 x 320 x 750mm	适用膜 Applicable Film	PE Stretch Hood Film
包装速度 Packing Speed	0~15m/min.	膜厚度 Film Thickness	60~200 μm
工作台高度 Working Table Height	750 ± 25mm	机械尺寸 Machine Size L x W x H	6180 x 4272 x 2530mm
载重 Load Capacity	1000kgs	毛净重 G./N. Weight	1800/1500kgs

全自动混产型封切收缩包装机

Fully-auto Mix Production Sealer & Shrink Tunnel



产品特点 Product Features

- 适用于混产型板材行业：
Applied to mixed production of board lines;
- 具备居中测量功能，可通过扫描条形码、二维码、RFID码或电子标签码来识别产品大小：
Identify product size by centered measurement function, bar code, QR code, RFID code or E-tag code;
- 自动膜架升降系统使得上膜更加省力：
Auto film lifting system makes film loading strength-saving;
- 双侧切刀联动垂直封口：
Two sides of sealing bar with vertical sealing linkage;
- 利用夹取式机构将废膜分离，配备抽屉式清理柜更方便。
Adopting clamping device to separate the waste film, equipped drawer type cleaning cabinet is more convenient.

工作流程图 Working Flow

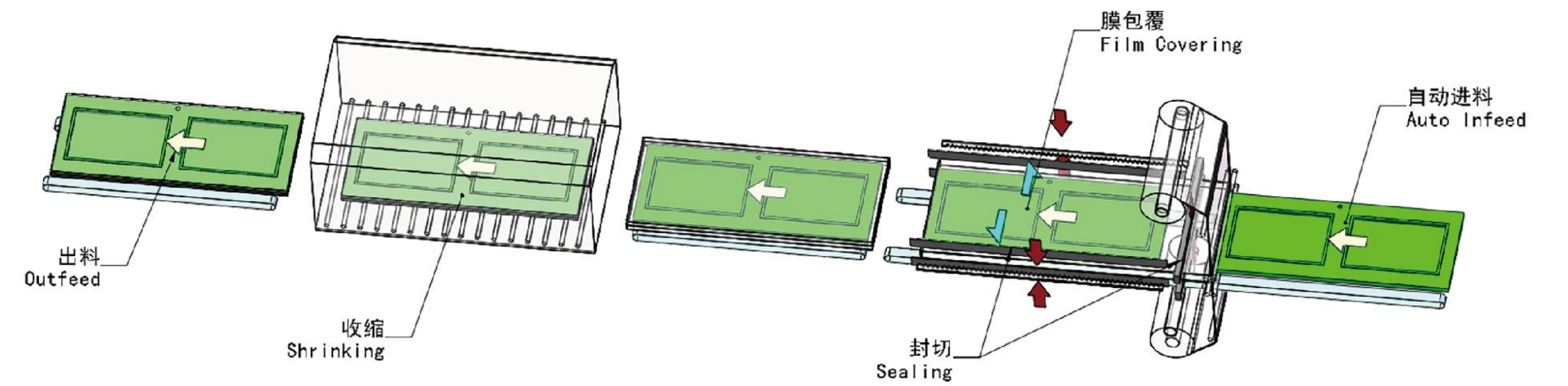
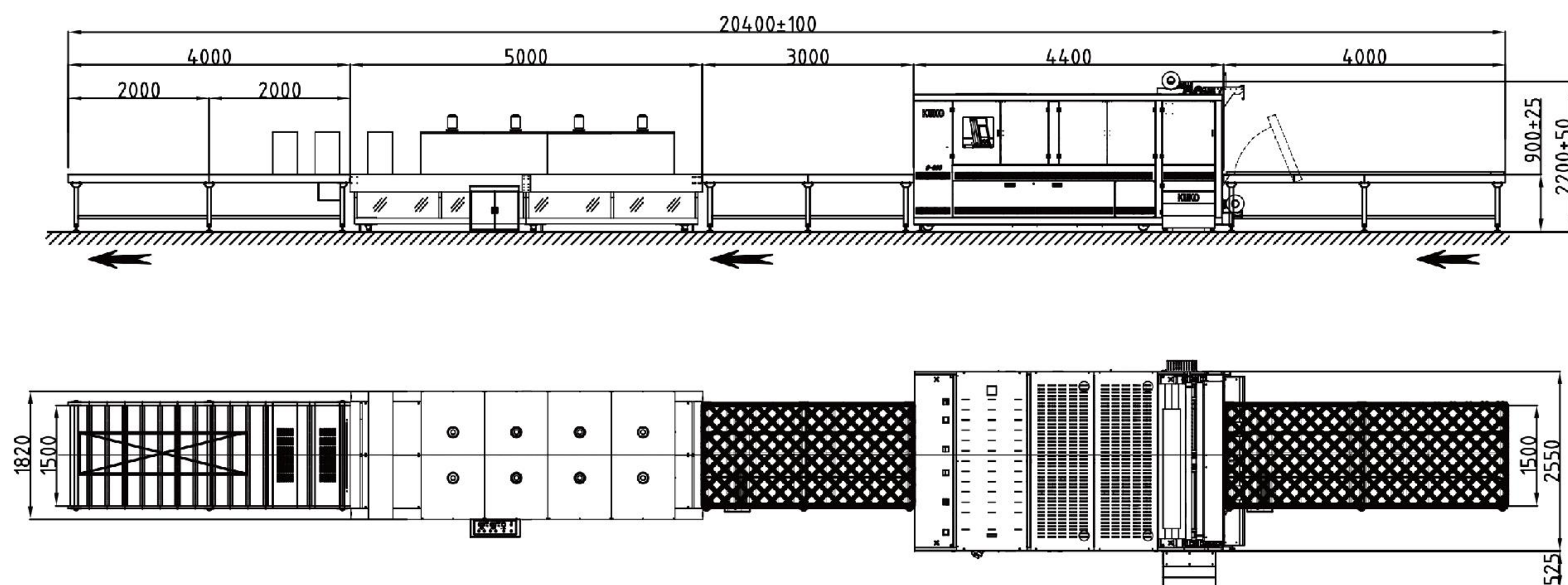


示意图 Layout



技术参数 Technical Parameter

型号 Model	GH-6030AFS	SF-15040E
功率 Power	15.5kw	56kw
电源 Power Supply	AC 380/220V 3PH 50/60HZ	
最大包装尺寸 Max. Packing Size	2400 x 1100 x 150mm	W1300 x H300mm
最小包装尺寸 Min. Packing Size	1000 x 500 x 10mm	炉腔尺寸 Chamber Size L x W x H 4000 x 1500 x 400mm
横封刀长度 Cross Blade Length	1500mm	/
边封刀长度 Side Blade Length	2600mm	/
包装速度 Packing Speed	0~25m/min.	
工作台高度 Working Table Height	900 ± 25mm	
收缩膜 Shrink Film	PE/POF	
最大膜卷直径 Max. Dia. of Film Roll	350mm	
机械尺寸 Machine Size L x W x H	4400 x 2550 x 2200mm	5000 x 1820 x 1850mm
木箱尺寸 Crate Size L x W x H	4500 x 2650 x 2350mm	5100 x 1900 x 2000mm
毛净重 G./N. Weight	3700/3500kgs	2700/2550kgs

全自动双边封切热收缩包装机

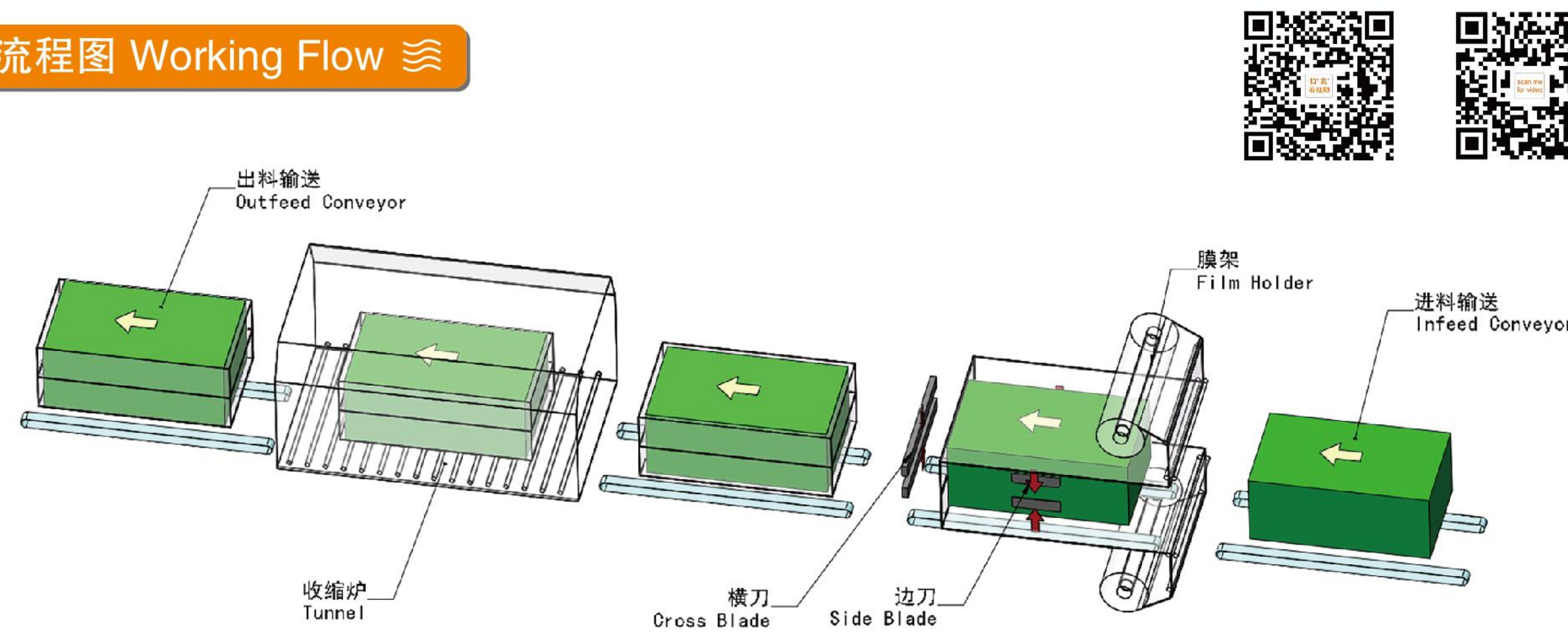
Fully-auto Double Side Sealer & Shrink Tunnel



产品特点 Product Features

- 横切刀采用伺服控制，保证封口牢固；
The cross sealing bar adopts servo control to ensure good sealing strength;
- 采用集成输送系统，适用于异形和软体产品；
Adopting the integrated conveyor system, suitable for special-shaped and soft products;
- 配备备用膜架，快速更换耗材；
Equipped spare film rack makes film replacing quickly;
- 模拟清料功能。
Simulated film cleaning function.

工作流程图 Working Flow



技术参数 Technical Parameter

型号 Model	GH-6030AF (1300)	GH-6030AF (1600)	GH-6030AF (2000)	GH-6030AF (2500)	SF-15070E
功率 Power	6kw	6.5kw	7kw	7.8kw	59kw
电源 Power Supply	AC 220/380V 3PH 50/60HZ				
炉腔尺寸 Chamber Size L x W x H	/				4000 x 1500 x 700mm
包装尺寸 Packing Size	L(unlimited), W+H≤1150mm H≤250mm	L(unlimited), W+H≤1450mm H≤300mm	L(unlimited), W+H≤1800mm H≤500mm	L(unlimited), W+H≤2300mm H≤500mm	3000 x 1300 x 500mm
横封刀长度 Cross Blade Length	1300mm	1600mm	2000mm	2500mm	/
包装速度 Packing Speed	0~15m/min.				
工作台高度 Working Table Height	850 ± 25mm				
收缩膜 Shrink Film	PE/POF				
最大膜卷直径 Max. Dia. of Film Roll	350mm				
机械尺寸 Machine Size L x W x H	2300 x 1800 x 1780mm	2685 x 2250 x 2023mm	2300 x 2500 x 2130mm	2440 x 3150 x 2023mm	5000 x 1850 x 2150mm
木箱尺寸 Crate Size L x W x H	2500 x 2000 x 2250mm	2800 x 2450 x 2270mm	2400 x 2600 x 2280mm	2560 x 3270 x 2270mm	5100 x 2250 x 2300mm
毛净重 G./N. Weight	1735/1600kgs	1950/1800kgs	2250/2050kgs	2550/2300kgs	2700/2550kgs

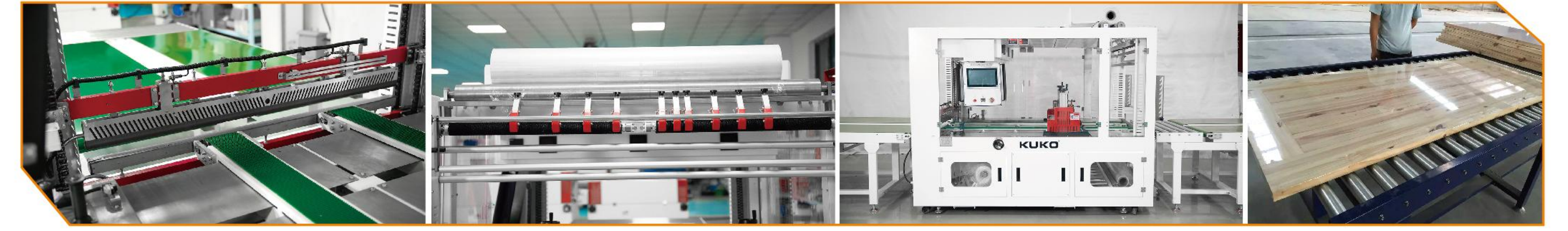
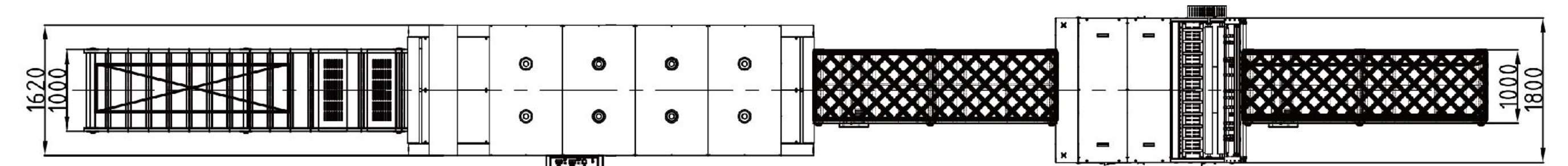
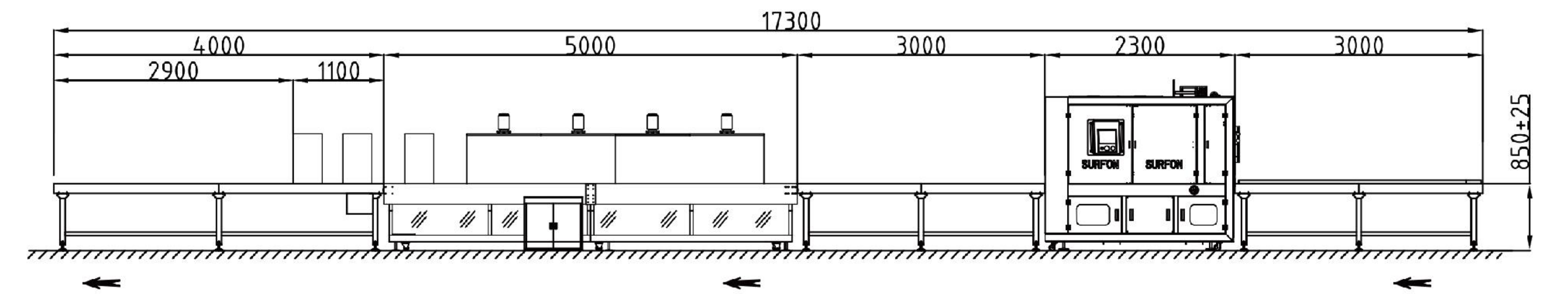


示意图 Layout



经济款双边封切机

Economical Double Side Sealer

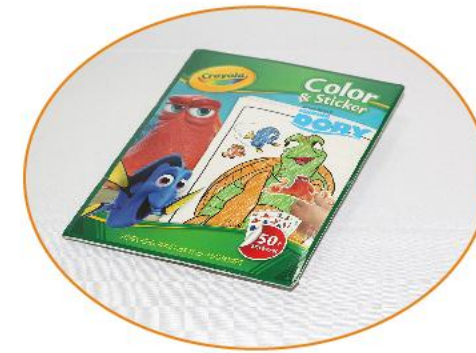
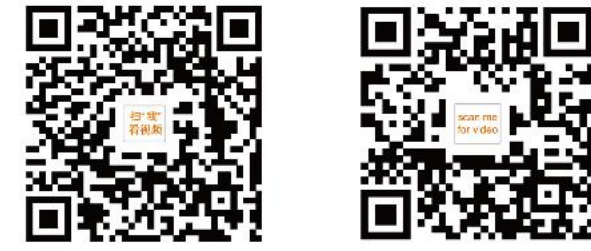
技术参数 Technical Parameter

型号 Model	GH-6030AFE (1300)	GH-6030AFE (1600)
功率 Power	6kw	6.5kw
电源 Power Supply	AC 220/380V 3PH 50/60HZ	
横封刀长度 Cross Blade Length	1300mm	1600mm
包装尺寸 Packing Size L x W x H	L(unlimited), W+H≤1200mm H≤150mm	L(unlimited), W+H≤1500mm H≤150mm
包装速度 Packing Speed	0~15m/min.	
工作台高度 Working Table Height	825 ± 25mm	
适用收缩膜 Shrink Film	PE/POF	
机械尺寸 Machine Size L x W x H	2100 x 1840 x 1780mm	2100 x 2140 x 1780mm
木箱尺寸 Crate Size L x W x H	2200 x 1900 x 1930mm	2200 x 2200 x 1930mm
毛净重 G./N. Weight	1300/1200kgs	1600/1500kgs



全自动移刀式边封封切收缩机

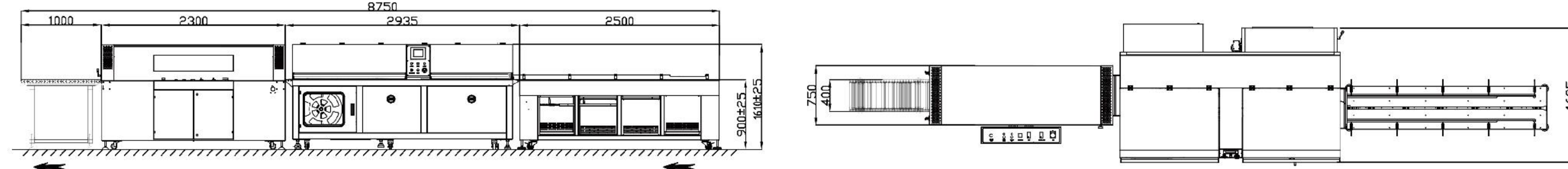
Fully-auto Motion Side Sealer & Shrink Tunnel



产品特点 Product Features

- 一键调节功能：按照产品实际尺寸输入即可完成调试；
One-click adjustment function: the actual size of the product can be input to complete the debugging;
- 边封刀可持续性的完成封切动作，使得速度最高可达80pcs/min；
Side blade seals continuously which can reach max. speed of 80pcs/min.;
- 横封刀往复移动设计与产品联动，可满足不停机生产；
The reciprocating movement design of cross sealing bar is linked with the products to meet the requirements of continuous production;
- 前端进料输送机可选指推料机或智能拉距输送机；
The front feed conveyor can be selected as a finger conveyor or an intelligent seperating conveyor;
- 在移刀驱动伺服电机控制方面配置了具有运动规划、多轴插补、连续插补、比较输出等功能的专用运动控制器来实现设备的高速可靠运行。
The servo motor control of cross moving cutter, a special motion controller with motion planning, multi-axis interpolation, continuous interpolation, comparison output and other functions is configured to realize the high-speed and reliable operation of the equipment.

示意图 Layout



技术参数 Technical Parameter

型号 Model	GH-3015CM	SF-5030LG
功率 Power	7.5kw	21kw
电源 Power Supply	AC 220V 1/3PH 50/60HZ	AC 220/380V 3PH 50/60HZ
包装尺寸 Packing Size	L≤500mm W≤300mm W+H≤450mm H≤150mm	炉腔尺寸 Chamber Size L x W x H 2000 x 500 x 300mm
移刀长度 Motion Blade Length	490mm	
包装速度 Packing Speed	0~80pcs/min.	
工作台高度 Working Table Height	900 ± 25mm	
适用收缩膜 Shrink Film	POF	
机械尺寸 Machine Size L x W x H	2935 x 1685 x 1610mm	2300 x 985 x 1260mm
木箱尺寸 Crate Size L x W x H	3035 x 1785 x 1810mm	2400 x 1085 x 1460mm
毛净重 G./N. Weight	1200/1000kgs	650/570kgs

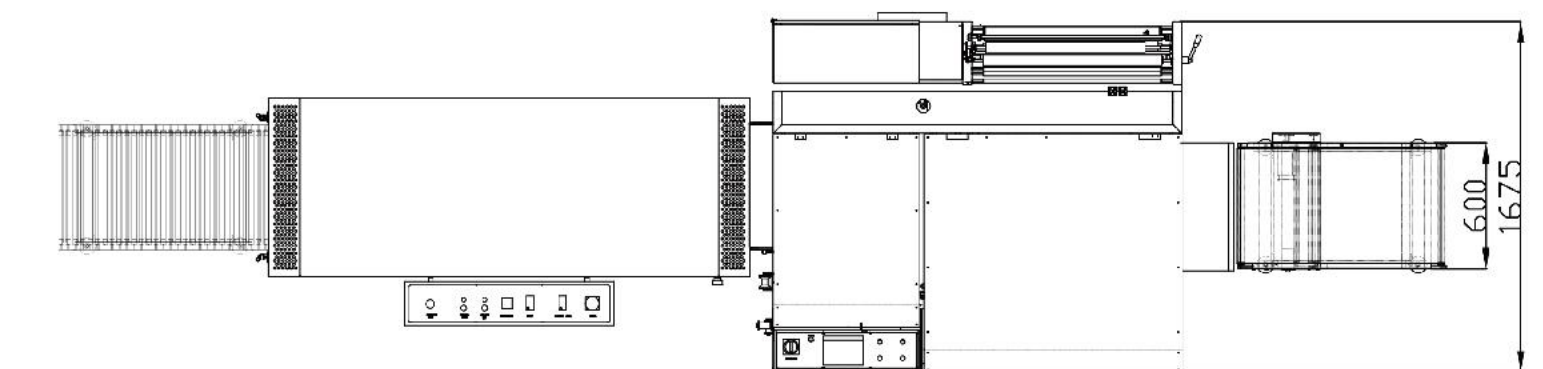
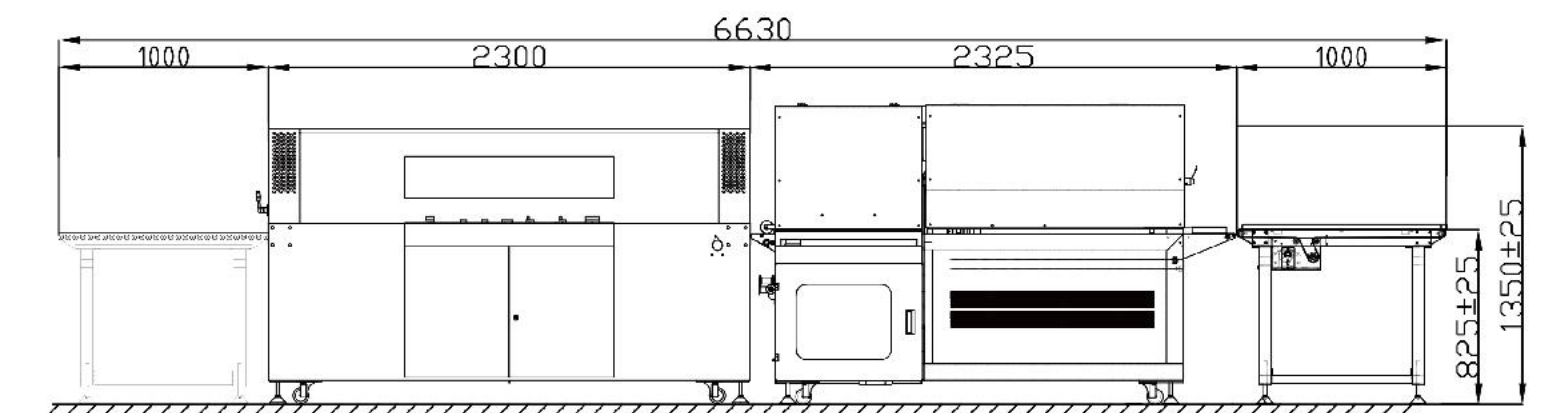
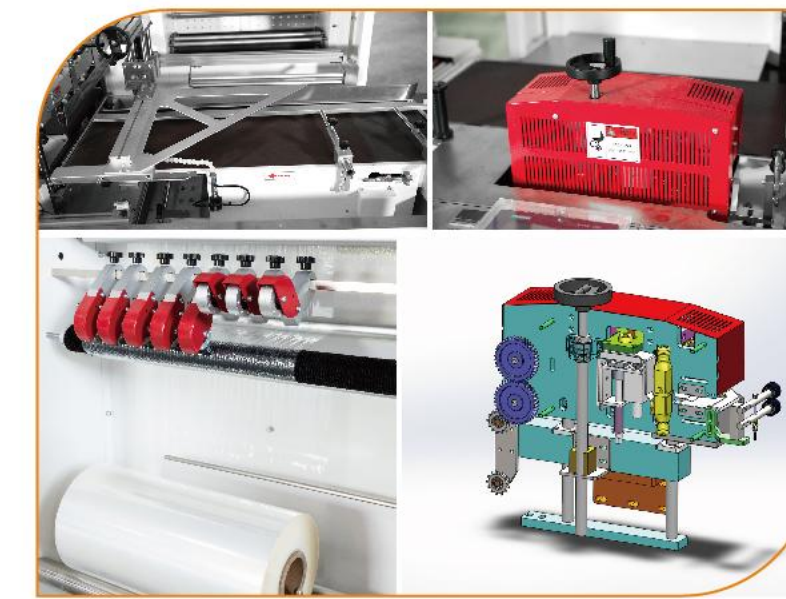
全自动中速边封封切收缩包装机

Fully-auto Medium Speed Side Sealer & Shrink Tunnel



产品特点 Product Features

- 密接功能可选；
Kissing device function as an option;
- 收废膜卷盘为达到高速、高频收卷运行，在控制方面增加了多段速自动切换功能，以此延长驱动电机的使用寿命；
In order to fulfill high speed and high frequency rolling of waste film collector, multi-segment automatic switching function is added in control to extend the service life of drive motor;
- 边封系统无气缸设计可选。
No cylinder design of side sealing system as an option.



技术参数 Technical Parameter

型号 Model	GH-3015ML	GH-5515ML	GH-7015ML	SF-6040LG
功率 Power	4kw	4.5kw	5.6kw	21kw
电源 Power Supply	AC 220V 1/3PH 50/60HZ			AC 220/380V 3PH 50/60HZ
包装尺寸 Packing Size	L(unlimited), W+H≤440mm H≤150mm	L(unlimited), W+H≤600mm H≤230mm	L(unlimited), W+H≤800mm H≤150mm	炉腔尺寸 Chamber Size L x W x H 1800 x 600 x 400mm
最小包装宽度 Min. Packing Width	50mm	100mm	150mm	/
横封刀尺寸 Cross Blade Length	490mm	700mm	900mm	/
包装速度 Packing Speed	0~35m/min.			
工作台高度 Working Table Height	825 ± 25mm			
适用收缩膜 Shrink Film	POF/PE			POF
最大膜卷外径 Max Outer Dia. of Film Roll	350mm			
机械尺寸 Machine Size L x W x H	2050 x 1480 x 1275mm	2325 x 1675 x 1350mm	2200 x 1835 x 1330mm	2300 x 1085 x 1360mm
木箱尺寸Crate Size L x W x H	2150 x 1580 x 1425mm	2425 x 1775 x 1550mm	2300 x 1935 x 1625mm	2400 x 1185 x 1510mm
毛净重 G./N. Weight	720/670kgs	1140/1020kgs	1450/1320kgs	780/650kgs

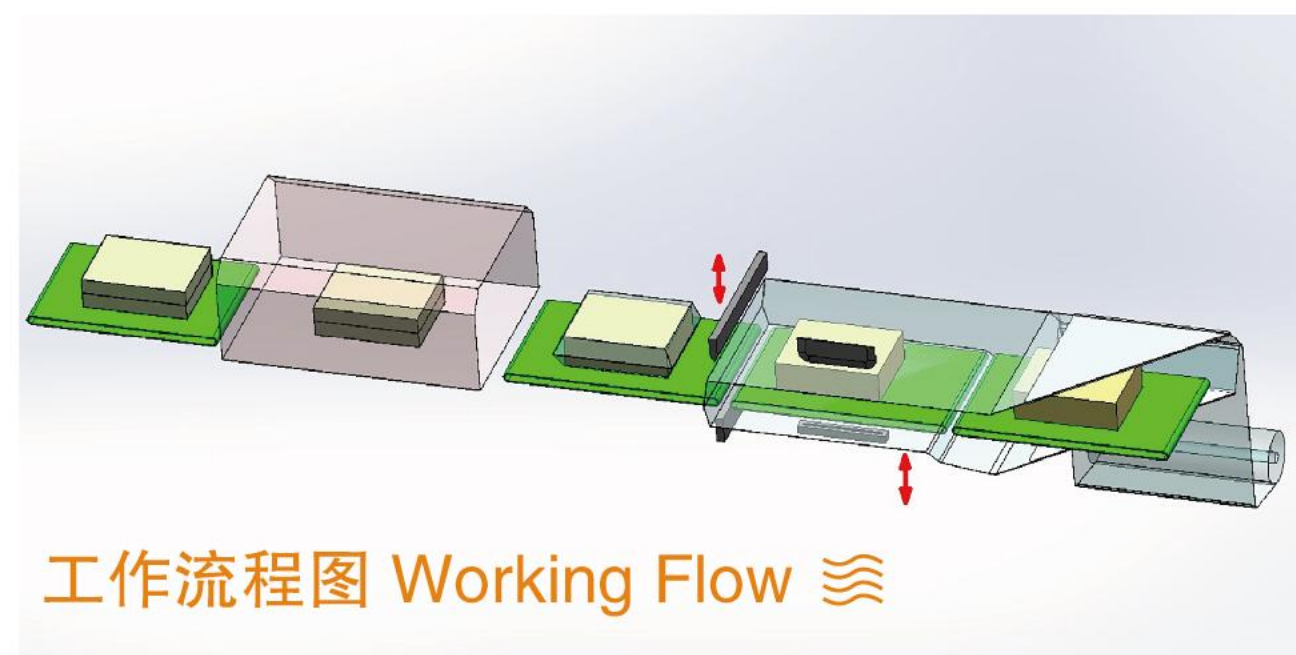
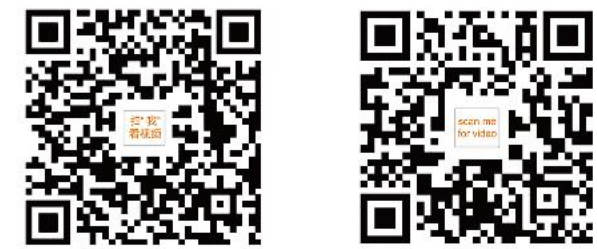
全自动后置刀封切热收缩包装机

Fully-auto Rear Blade Side Sealer & Shrink Tunnel



产品特点 Product Features

- 采用先进的可编程控制器，具有安全保护及报警装置，且封切系统能持续流畅做出封口动作，无须更换，检修操作非常简单；
Adopting the advanced PLC, with safety protection and alarm devices, while the sealing system can have a continuous sealing order without replacement and maintenance is very simple;
- 加装水平光电两组及垂直光电一组，对于宽且高的包装物可轻易完成封口包装作业；
Two groups of horizontal and vertical electrical eyes are easy to switch for wide and high packages which can easily complete sealing packaging operations;
- 封口部分横封刀采用垂直式驱动，边封刀采用国际先进的恒温侧封刀。横封刀置于边封刀后方；
The cross blade of sealing parts adopts vertical driving while the side blade uses international advanced homothermal blade. The cross blade is behind the side blade;
- 针对于高产品，横刀后置大大降低边刀跑膜概率。
For tall products, rear-mounted cross blade greatly reduced film deviation of side blade.



工作流程图 Working Flow

技术参数 Technical Parameter

型号 Model	GH-2020LH	GH-3030LH	GH-5030LH	GH-8030LH	SF-8050(E)
功率 Power	3kw	3.8kw	4kw	4.2kw	22kw
电源 Power Supply	AC220V 1/3PH 50/60HZ				AC380/220V3PH 50/60HZ
横封刀长度 Cross Blade Length	490mm	700mm	900mm	1200mm	/
包装尺寸 Packing Size L x W x H	L(unlimited), W+H≤400mm H≤180mm	L(unlimited), W+H≤600mm H≤300mm	L(unlimited), W+H≤800mm H≤300mm	L(unlimited), W+H≤1100mm H≤300mm	炉腔尺寸 Chamber Size L x W x H 1800 x 800 x 500mm
最小包装宽度 Min. Packing Width	50mm	100mm	150mm	250mm	/
最大膜卷直径 Max. Dia. of Film Roll	350mm				/
包装速度 Packing Speed	0~18m/min.	0~35m/min.	0~35m/min.	0~35m/min.	0~35m/min.
工作台高度 Working Table Height	825 ± 25mm				
外接气源 External Air Source	5~8 bar				/
适用收缩膜 Shrink Film	POF/PE				
机械尺寸 Machine Size L x W x H	2250 x 970 x 1660mm	3260 x 1720 x 1450mm	3460 x 1960 x 1450mm	2700 x 2180 x 1700mm	2850 x 1350 x 1800mm
木箱尺寸 Crate Size L x W x H	2350 x 1070 x 1810mm	3360 x 1820 x 1600mm	3560 x 2060 x 1600mm	2800 x 2280 x 1850mm	2950 x 1450 x 1950mm
毛净重 G./N. Weight	423/393kgs	423/393kgs	1735/1655kgs	1900/1800kgs	760/700kgs

全自动经济型边封收缩包装机

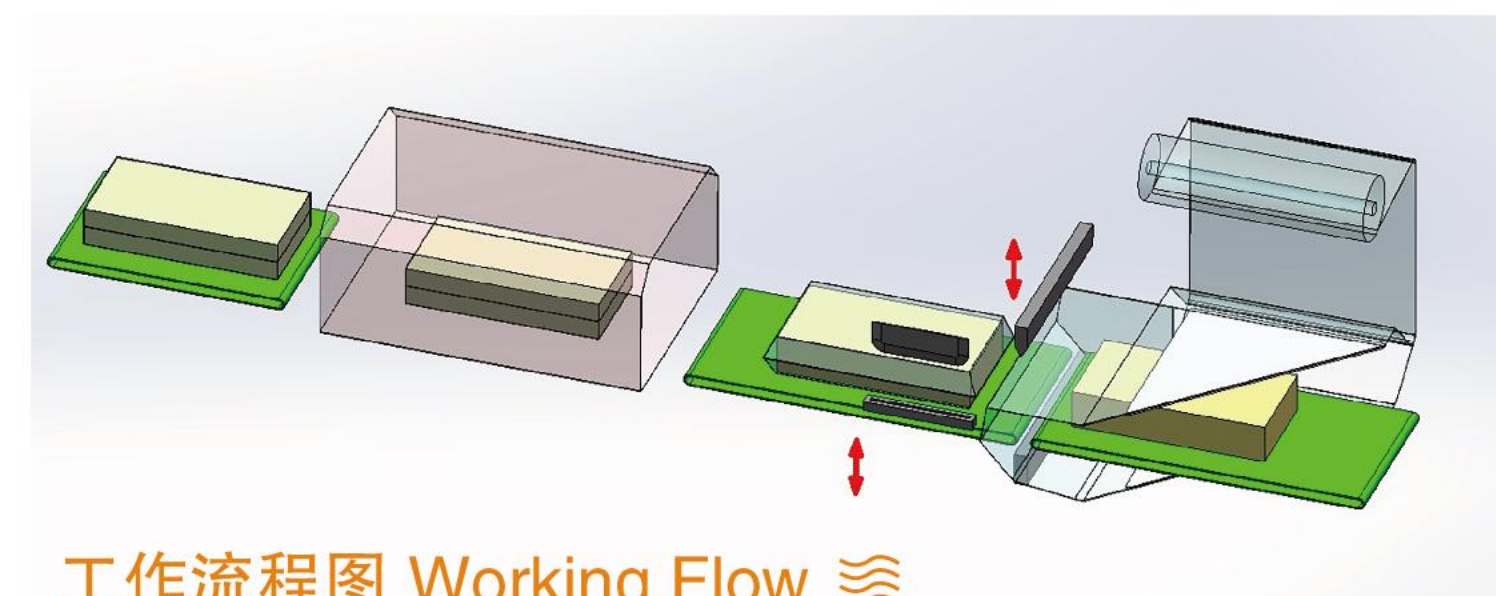
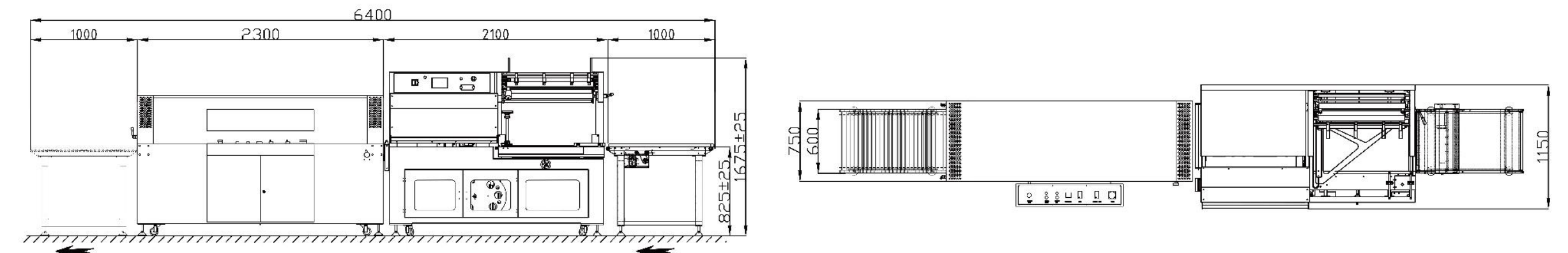
Fully-auto Economical Side Sealer & Shrink Tunnel



产品特点 Product Features

- 适用于长型产品；
Suitable for long products;
- 配方存储功能；
Recipes storage function;
- 密接功能可选；
Kissing device as an option;
- 废膜自动收卷，方便清理；
Collect the waste film automatically and easy to clean;
- 兼容POF膜、PE膜或者交联收缩膜。
Applied to POF, PE or cross-linked film.

示意图 Layout



工作流程图 Working Flow

技术参数 Technical Parameter

型号 Model	GH-3015L/GH-3015LC	GH-5515L	GH-7015L	SF-6030LG
功率 Power	2.5kw	3.5kw	4kw	22kw
电源 Power Supply	AC 220V 1/3PH 50/60HZ			AC 380/220V 3PH 50/60HZ
横封刀长度 Cross Blade Length	490mm	700mm	900mm	/
包装尺寸 Packing Size L x W x H	L(unlimited), W+H≤440mm H≤150mm	L(unlimited), W+H≤600mm H≤230mm	L(unlimited), W+H≤800mm H≤150mm	炉腔尺寸 Chamber Size L x W x H 1800 x 600 x 300mm
最小包装宽度 Min. Packing Width	50mm	100mm	150mm	/
最大膜卷外径 Max Outer Dia. of Film Roll	350mm			/
包装速度 Packing Speed	15m/min.	0~20m/min.	0~20m/min.	0~20m/min.
外接气源 External Air Source	5~8 bar			/
适用收缩膜 Shrink Film	POF/PE			POF
机械尺寸 Machine Size L x W x H	1748 x 975 x 1650mm	2100 x 1150 x 1675mm	2210 x 1900 x 1330mm	2300 x 1135 x 1330mm
木箱尺寸 Crate Size L x W x H	1850 x 1075 x 1800mm	2200 x 1250 x 1830mm	2310 x 2000 x 1480mm	2400 x 1235 x 1530mm
毛净重 G./N. Weight	575/525kgs	990/920kgs	1115/1015kgs	650/600kgs



全自动滚刀式枕式收缩包装机

Fully-auto Rotary Flow Shrink Wrapper



产品特点 Product Features

- 核心工作原理是将膜通过成型器折叠成枕形包装袋，随后对两端进行封口并裁切为独立包装并收缩；
Its core working principle is to fold the roll film into a pillow-shaped bag around the product, then seal both ends and cut it into individual package then shrinking;
- 采用顶置式薄膜卷布置，同时增加压缩空气涨紧机构，方便在操作面更换薄膜，减少设备占地面积；
Adopting a top-mounted film roll arrangement, it is also equipped with a compressed air tensioning mechanism, facilitating film replacement on the operation side and reducing the equipment footprint;
- 滚刀具和盘刀具采用联动式结构设计技术路线，确保刀具切合封口时的同步性。
The rotary cutters and circular blade are designed with a linkage structure technology route to ensure synchronization during cutting and sealing operations.

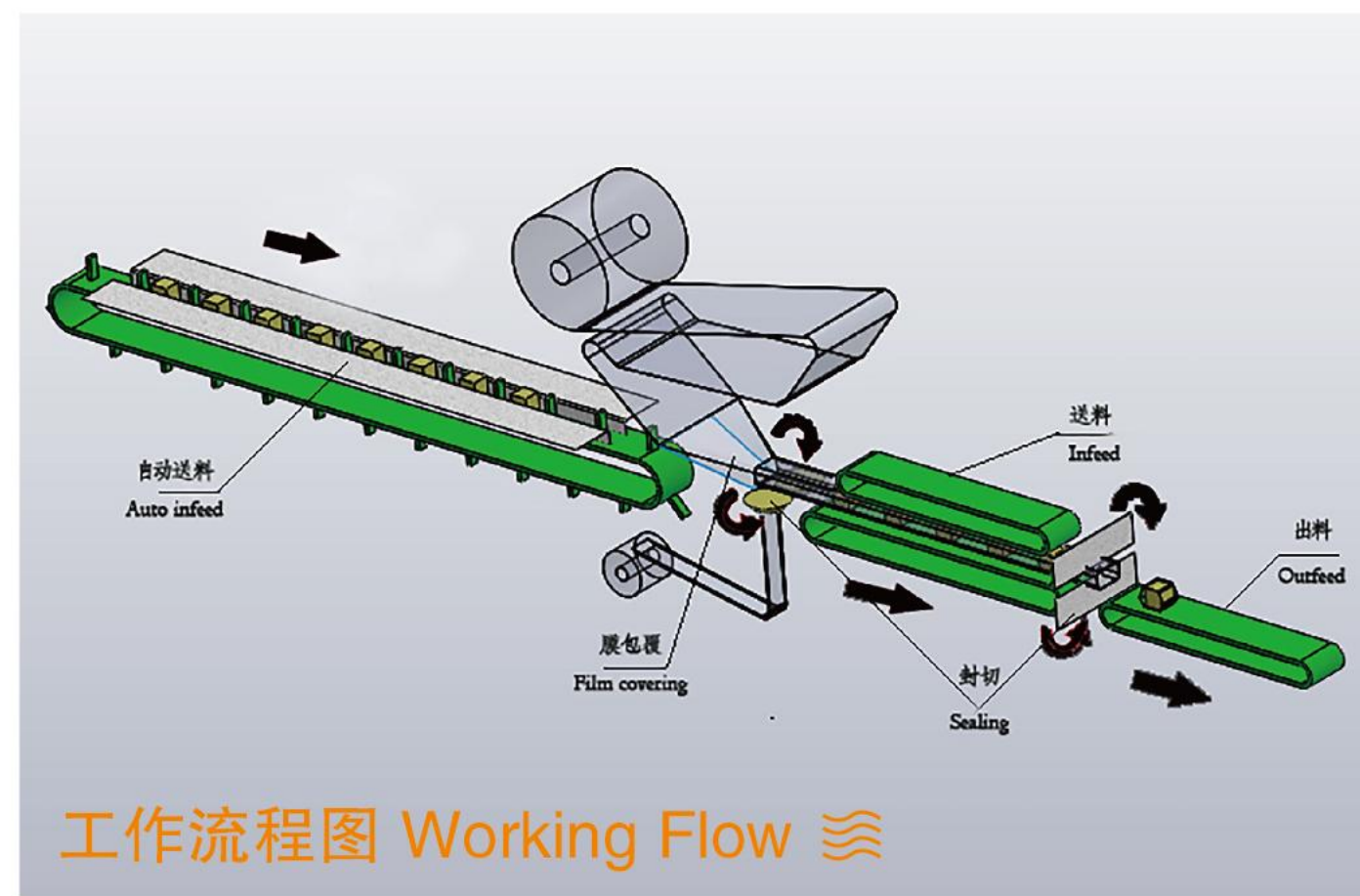
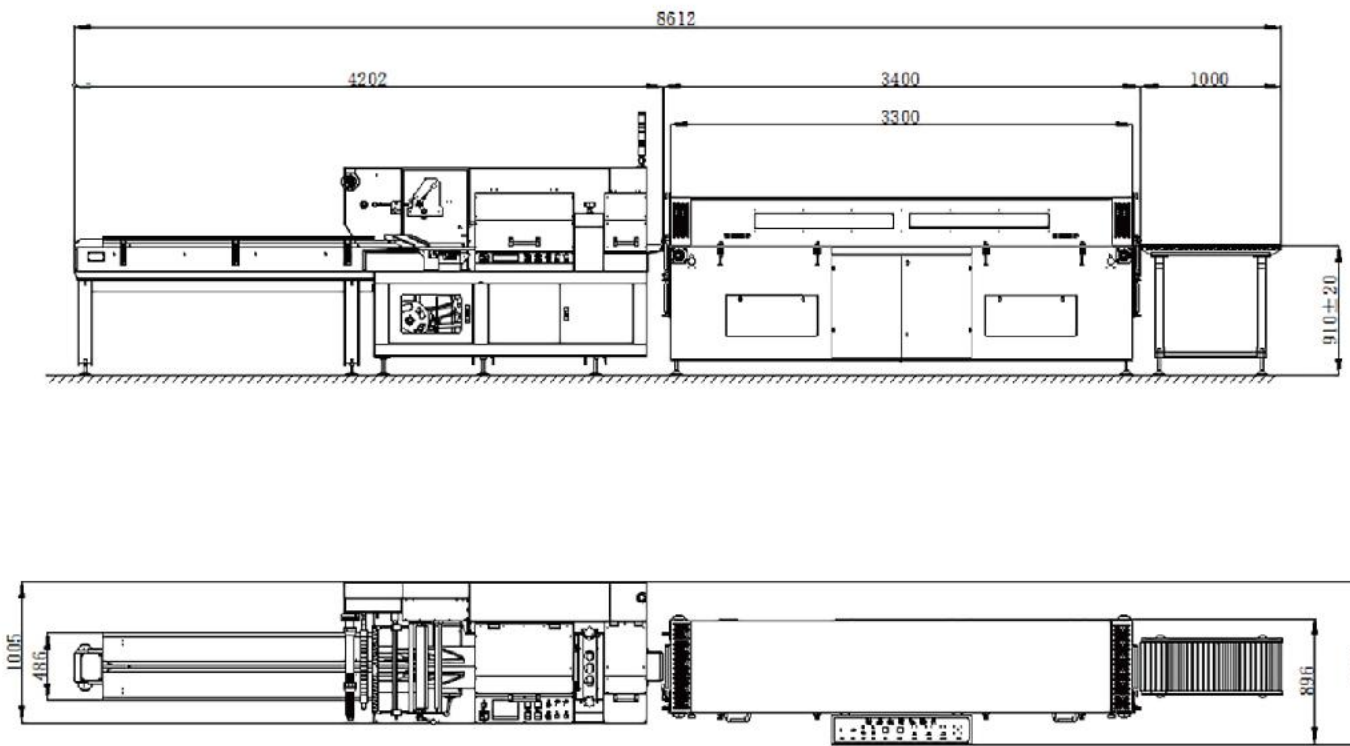


示意图 Layout



技术参数 Technical Parameter

型号 Model	GH-250FP	SF-4020G
功率 Power	10kw	22kw
电源 Power Supply	AC 380/220V 3PH 50/60HZ	AC 380/220V 3PH 50/60HZ
横封刀长度 Cross Blade Length	250mm	/
包装尺寸 Packing Size L x W x H	L60-320mm, W10-200mm, H5-35mm	炉腔尺寸 Chamber Size L x W x H 3000 x 400 x 200mm
包装速度 Packing Speed	60~80pcs/min.	0~25m/min.
工作台高度 Working Table Height	950 ± 30mm	950 ± 30mm
外接气源 External Air Source	6~8kg/cm²	/
适用收缩膜 Shrink Film	POF	POF
机械尺寸 Machine Size L×W×H	2300 × 1005 × 1455mm	3400 × 865 × 1340mm
木箱尺寸 Crate Size L×W×H	3000 × 1340 × 1825mm	3500 × 965 × 1440mm
毛净重 G./N. Weight	900/800kgs	650/570kgs

全自动移刀式枕式包装机

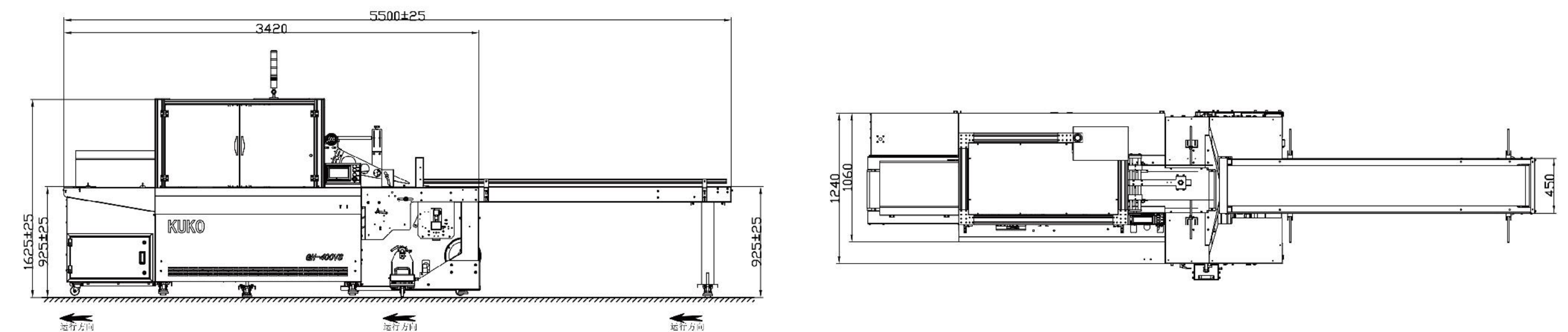
Fully-auto Motion Type Flow Packing Machine



产品特点 Product Features

- 自动检测产品的长度和宽度；
Detects the length and width of items automatically;
- 采用先进的连续移刀式横封刀；
Adopts advanced continuous motion type cross sealing blade;
- 下走膜式更便于换膜；
Down film roll is easier to be changed;
- 背封刀采用热熔和齿形冷刀结合机构，以便包装袋在使用者手中顺利撕开；
The back sealing bar is a combination of hot melt and toothed cold knife to allow the bag to be easily torn off in the user's hand;
- 采用薄膜自动冲孔和冲孔废料回收技术，杜绝废料和产品的误包装。
The usage of automatic film punching and waste material recycling technology to eliminate mispacking.

示意图 Layout



技术参数 Technical Parameter

型号 Model	GH-400VS	横封刀长度 Cross Blade Length	400mm
功率 Power	10kw	电源 Power Supply	AC380/220V 3PH 50/60HZ
包装尺寸 Packing Size L x W x H	100-600 x 50-250 x 10-150mm	包装速度 Packing Speed	0~30pcs/min.
适用薄膜 Shrink Film	OPP/BOPP	机械尺寸 Machine Size L x W x H	5500 x 1240 x 1625mm
毛净重 G./N. Weight	900/800kgs	木箱尺寸 Crate Size L x W x H	5600 x 1340 x 1825mm

全自动切角封切收缩机

Fully-auto Corner Sealer & Shrink Tunnel

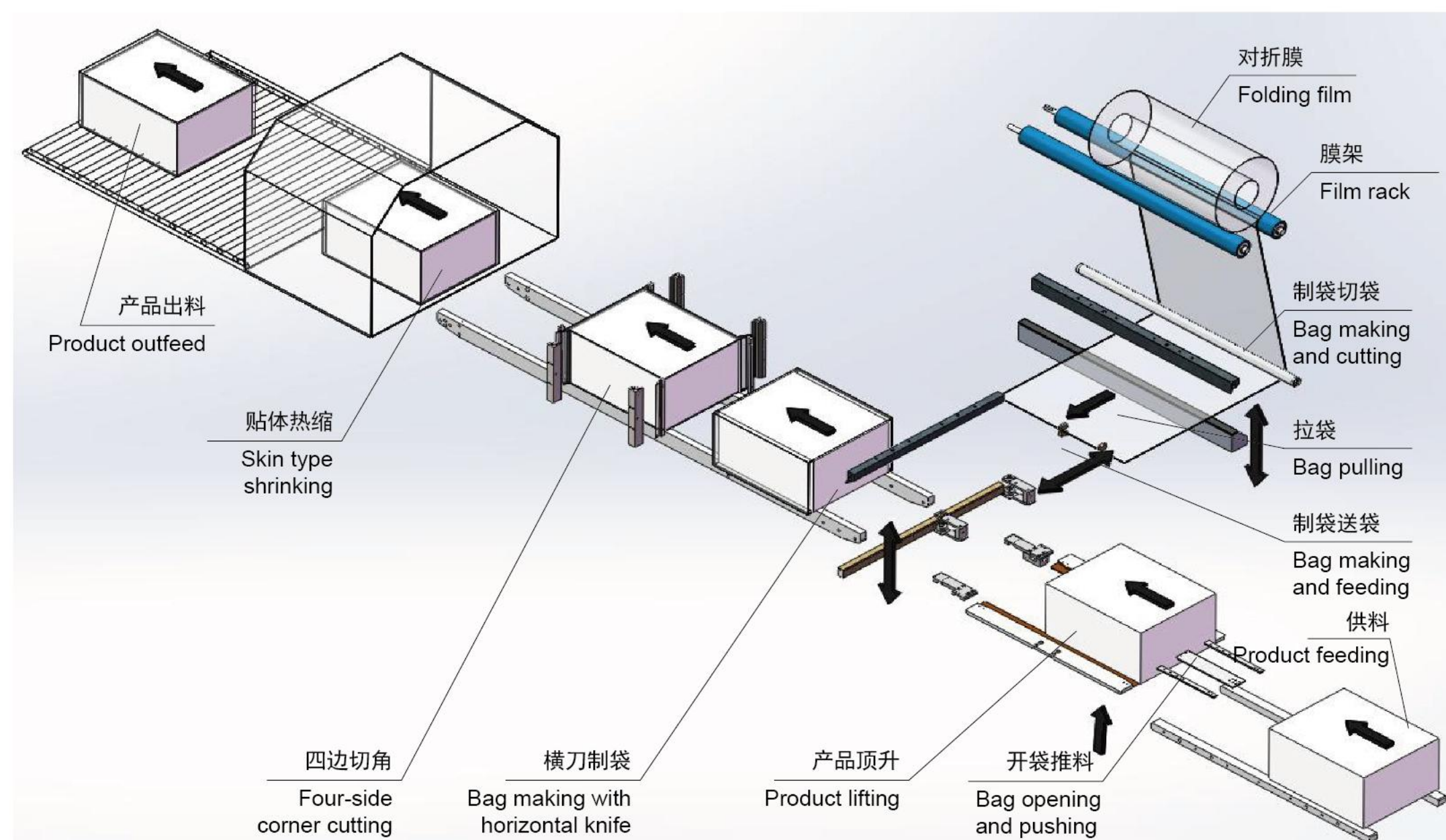


产品特点 Product Features



- 通过选择配方的模式快速切换产品；
Change the items by selecting recipe mode;
- 自动调节产品大小可供选择；
Auto adjustment of product size as an option;
- 封口袋切除四角设计完美避开“狗耳”困扰。角刀采用四角联动机构，以便快速准确切割封口；
The design of cutting off four corners perfectly avoids the trouble of "dog ears". The corner knife adopts a four-corners linkage mechanism for fast and accurate cutting and sealing;
- 自动负压吸取废边角料技术有效防止废料漂浮影响下道工艺环节；
The automatic negative pressure suction of waste scraps can effectively prevent the floating of waste materials from affecting the next process;
- 入料处增加高灵敏传感器，与PLC双逻辑互锁，确保高速入料的准确性；
Added high-sensitivity sensor at the feeding point, interlocked with PLC via dual logic to ensure the accuracy of high-speed feeding;
- 配置10个伺服电机，分别控制输送部分、横切刀部分及角切刀部分的协同工作，同时各伺服电机配合PLC有效的关联，实现设备的高速稳定运行。
Ten servo motors are configured to control the coordinated work of the conveyor part, the cross-cutting knife and the corner cutting knife respectively. Meanwhile, each servo motor has a reasonable connection with the PLC to achieve high-speed and stable operation of the equipment.

工作流程图 Working Flow



技术参数 Technical Parameter

型号 Model	GH-550FC	GH-550FS	SF-5030LG
功率 Power	12kw	12.5kw	16kw
电源 Power Supply	AC 220/380V 3PH 50/60HZ		AC 220/380V 3PH 50/60HZ
包装尺寸 Packing Size L x W x H	120~450 x 80~300 x 30~150mm		炉腔尺寸 Chamber Size 1500 x 500 x 300mm
包装速度 Packing Speed	0~12pcs/min.	0~23pcs/min.	0~30m/min.
适用收缩膜 Shrink Film	Cross-linked film		
机械尺寸 Machine Size L x W x H	3050 x 1600 x 1810mm	3115 x 2000 x 1810mm	1800 x 985 x 1260mm
木箱尺寸 Crate Size L x W x H	3150 x 1700 x 2000mm	3215 x 2100 x 1960mm	1900 x 1085 x 1460mm
毛净重 G./N. Weight	1400/1300kgs	1600/1500kgs	550/500kgs

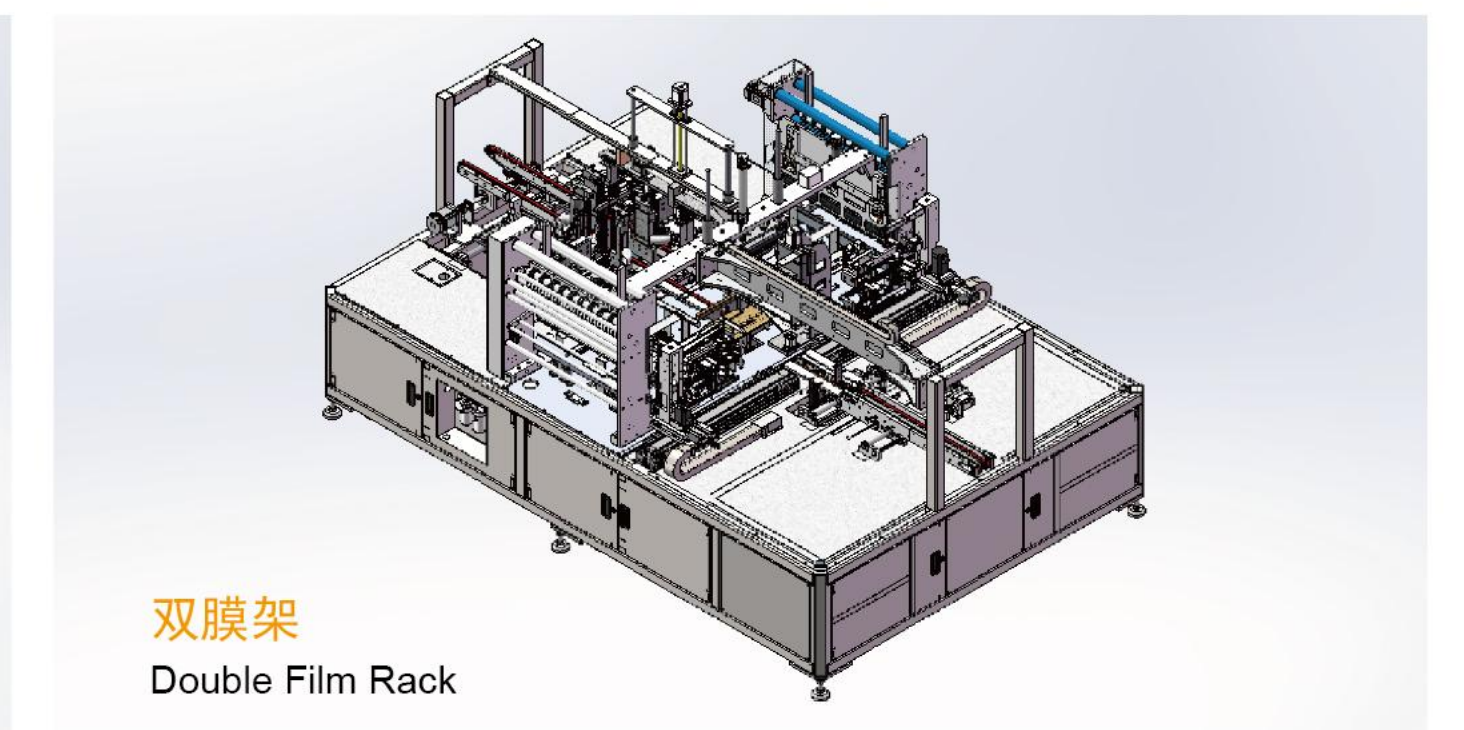
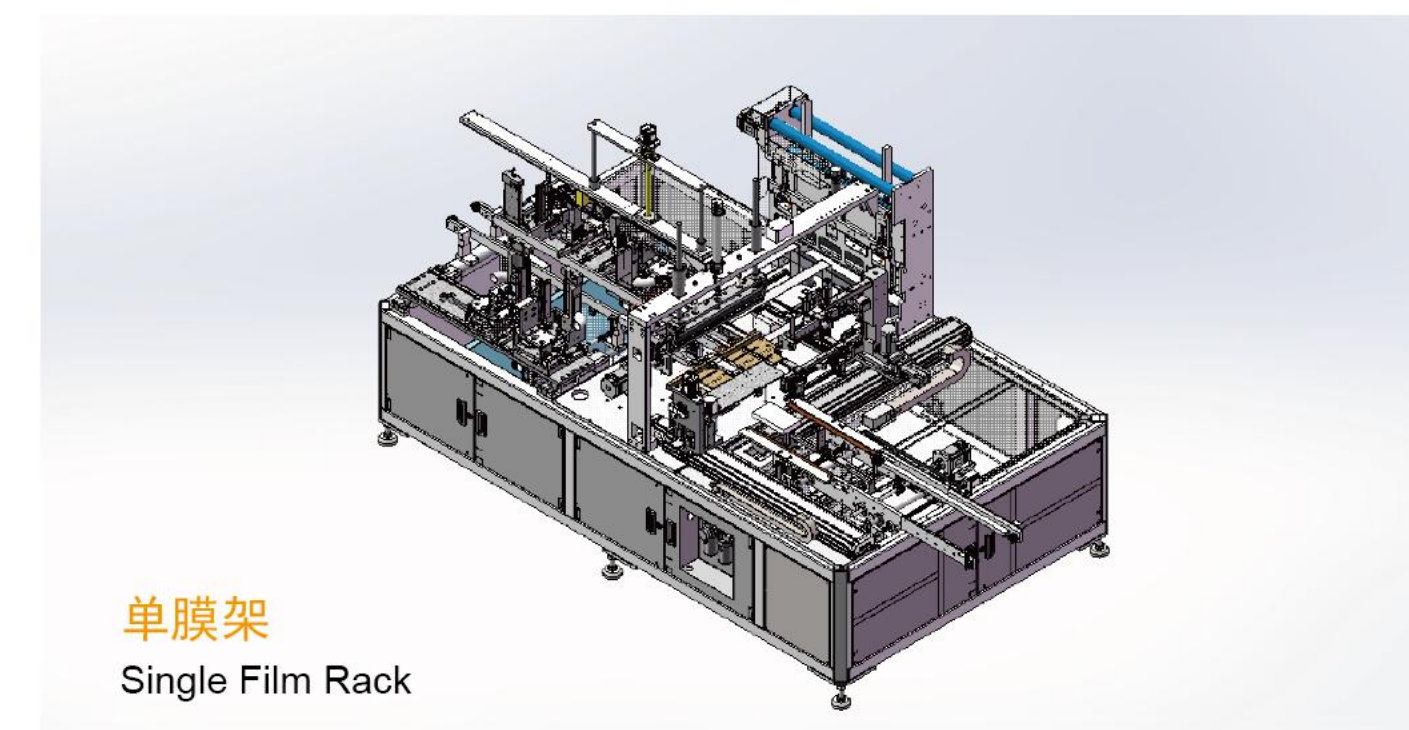
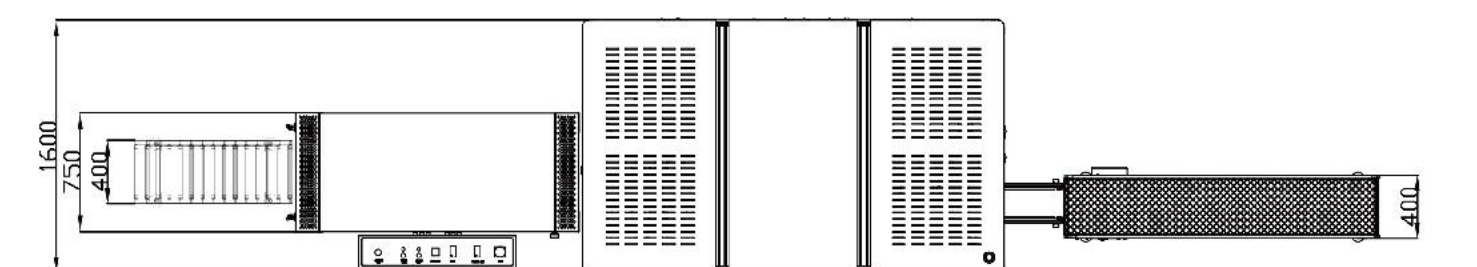
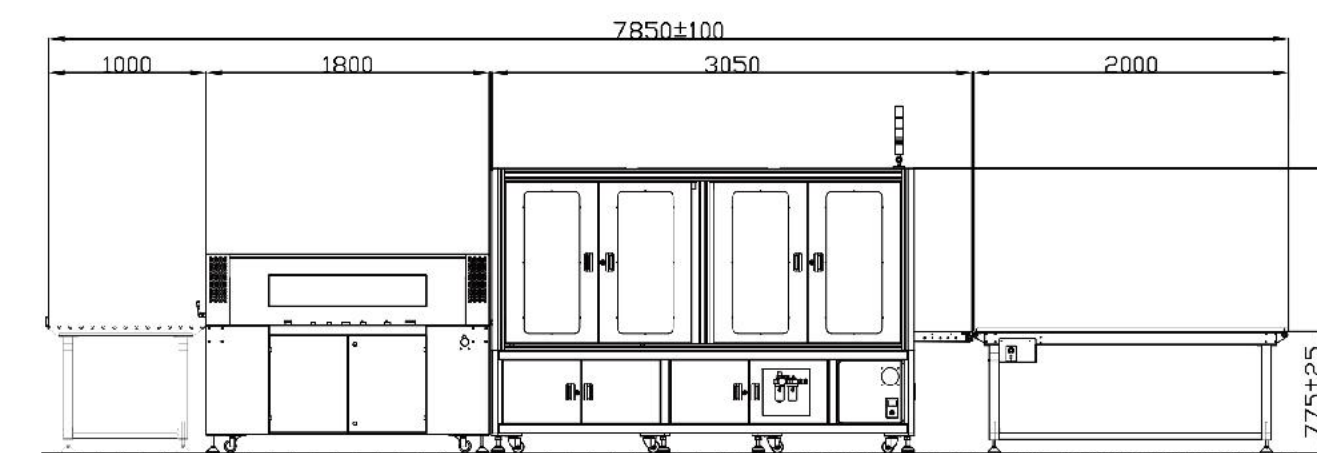


示意图 Layout



半自动切角机 Semi-Auto Corner Sealer

技术参数 Technical Parameter

型号 Model	GH-400C	GH-600C
功率 Power	2.5kw	3.5kw
电源 Power Supply	AC 220V 1/3PH 50/60HZ	
封切尺寸 Sealing Size	380mm	580mm
最大包装高度 Max. Packing Height	120mm	190mm
外接气源 External Air Source	5~8 bar	
适用收缩膜 Shrink Film	POF	
机械尺寸 Machine Size L x W x H	650 x 525 x 980mm	830 x 590 x 980mm
木箱尺寸 Crate Size LxWxH	700 x 700 x 1100mm	880 x 700 x 1100mm
毛净重 G./N. Weight	85/75kgs	115/105kgs

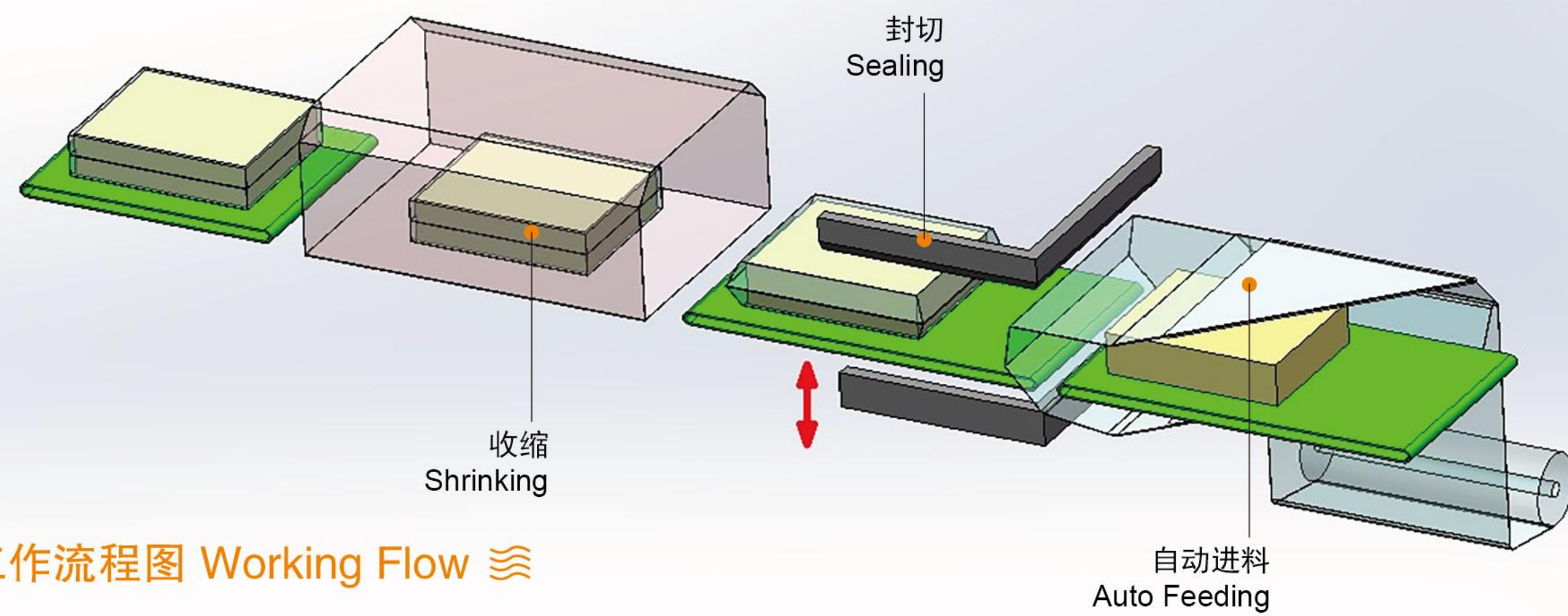


全自动垂直L型封切收缩包装机

Fully-auto Vertical L Bar Sealer & Shrink Tunnel

产品特点 Product Features

- 封口线居中; The sealing line is centered;
- 一键调速功能(适应单件及组合件切换); One-click speed control function (adopt to single item and group ones switching);
- 四角重叠少。电路防错装置; The four corners overlap is very less. Circuit error prevention device;
- 伺服控制更稳定且噪音小; Servo controlled model makes less noisy and more stable performance;
- 切刀压力均匀, 不会受外界压力波动干扰。 The pressure is uniform for cutter, never disturbed by external pressure fluctuations.



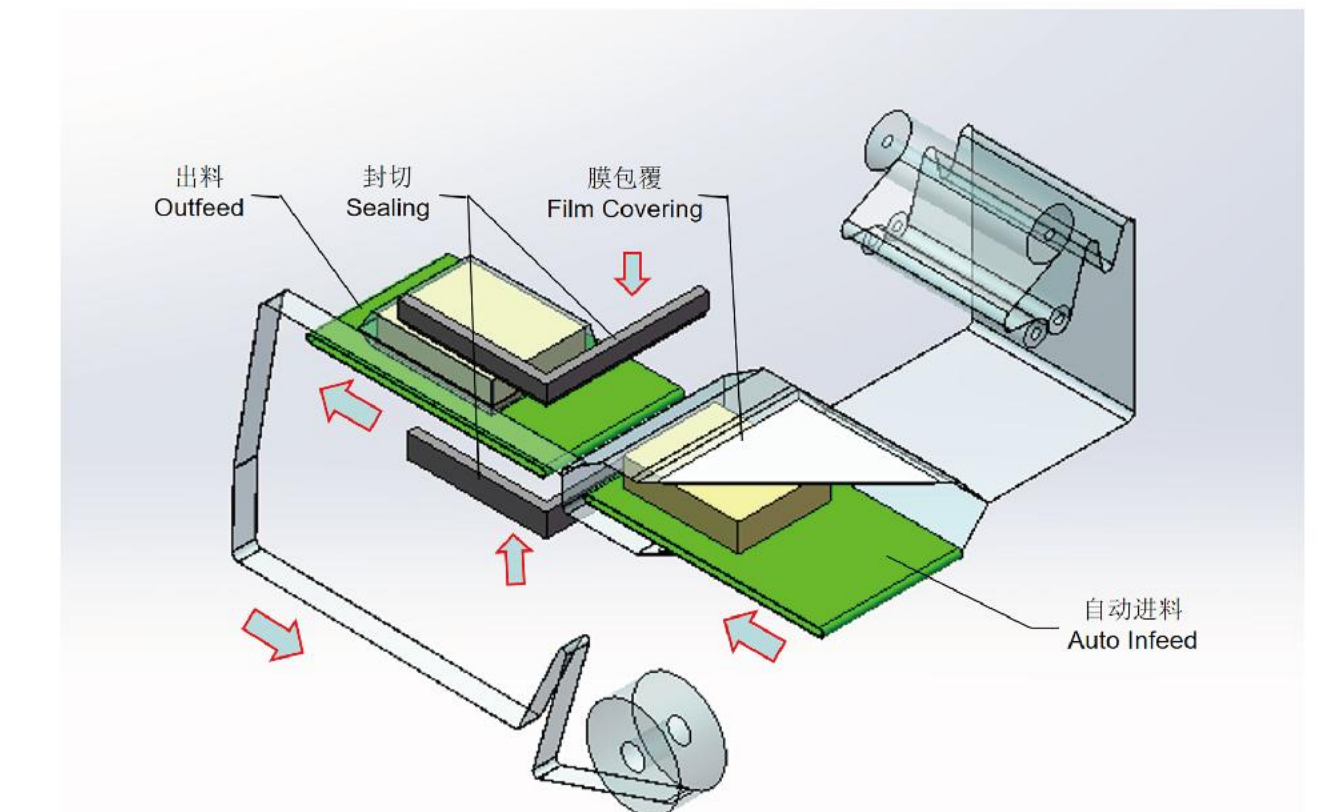
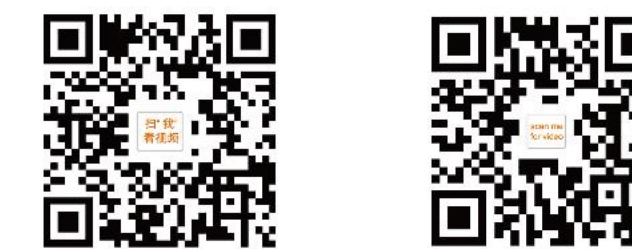
工作流程图 Working Flow

技术参数 Technical Parameter

型号 Model	气缸款 Cylinder Type	伺服款 Servo Type	GH-450LV	GH-450LVS	GH-600LV	GH-600LVS	GH-750LV	GH-750LVS	SF-6040LG
功率 Power			3.2kw	4kw	3.8kw	5kw	4.3kw	5.6kw	22kw
电源 Power Supply			AC 220V 1/3PH 50/60HZ						AC 380V 3PH 50/60HZ
包装尺寸 Packing Size L x W x H			L+H≤400mm W+H≤300mm H≤100/120mm		L+H≤600mm / W+H≤500mm H≤170/210mm		L+H≤850mm W+H≤650mm H≤250/280mm		炉腔尺寸 Chamber Size 1800 x 600 x 400mm
最大膜卷外径 Max Outer Dia. of Film Roll			350mm						/
L封切刀尺寸 L-bar Blade Size			L450 x W350mm		L650 x W550mm		L900 x W700mm		/
包装速度 Packing Speed			0~35m/min.		0~35m/min.		0~30m/min.		0~20m/min.
工作台高度 Working Table Height			825 ± 25mm						
外接气源 External Air Source			5~8 bar		None		/		
适用收缩膜 Shrink Film			POF/PE						POF
机械尺寸 Machine Size L x W x H			1580 x 1386 x 1300mm		2100 x 1650 x 1350mm		2450 x 1680 x 1380mm		2300 x 1085 x 1380mm
木箱尺寸 Crate Size L x W x H			1680 x 1486 x 1450mm		2200 x 1750 x 1500mm		2550 x 1780 x 1530mm		2400 x 1185 x 1510mm
毛净重 G./N. Weight			825/700kgs		980/900kgs		1050/950kgs		650/600kgs

全自动经济款垂直L型封切收缩包装机

Fully-auto Economical Vertical L Bar Sealer & Shrink Tunnel

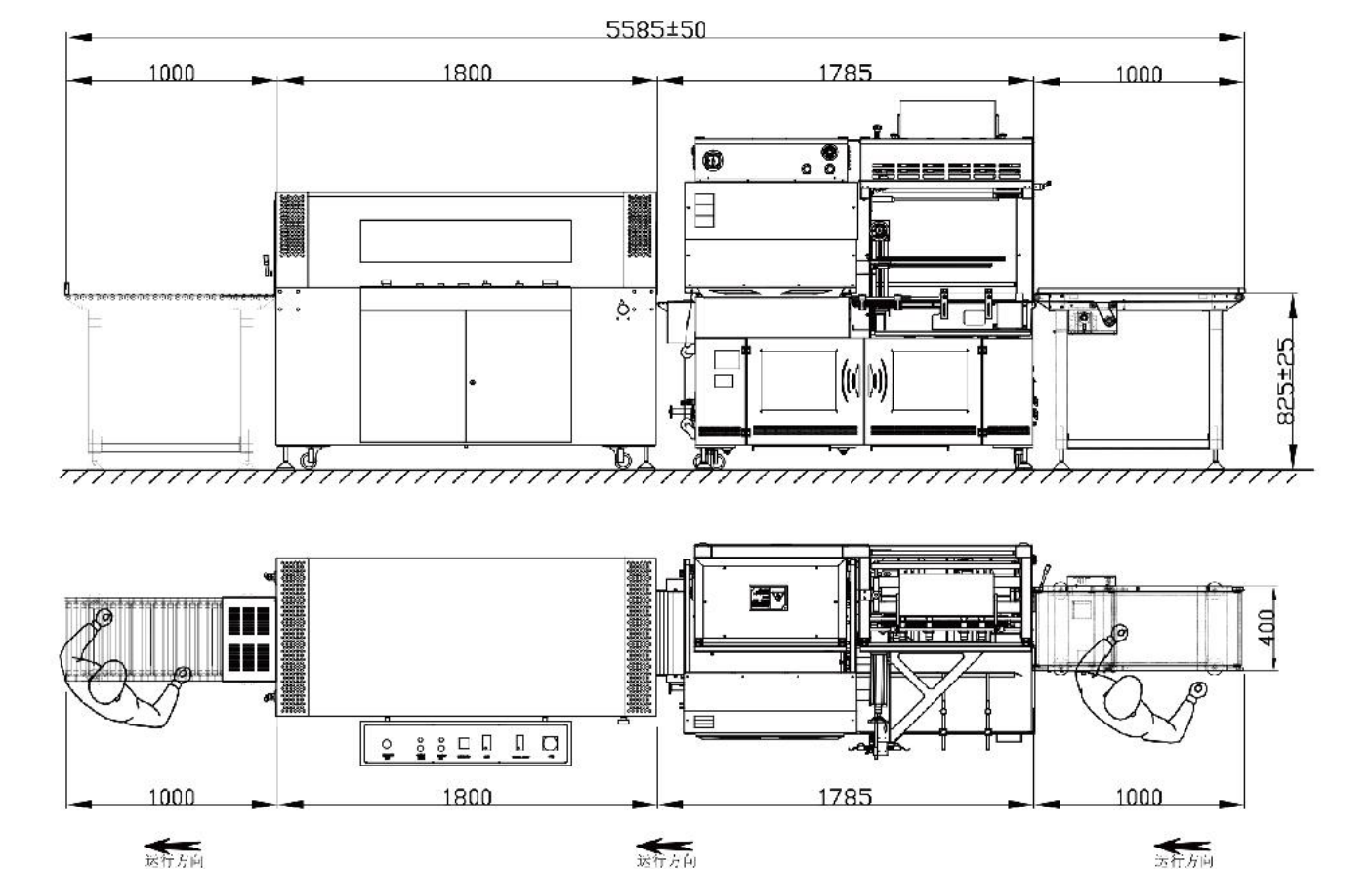


工作流程图 Working Flow

产品特点 Product Features

- 速度可达30包/分钟; Speed can reach 30 packs/min.;
- 机器占地面积小; It saves the working space;
- 水平光电两组及垂直光电一组, 对于薄且小的包装物可以轻易完成封口作业; Two groups of horizontal and vertical electrical eyes are easy to switch for thin or small packages which can easily complete sealing packaging operations;
- 自动卷取废料, 采用单独马达控制, 不会过于松弛或过紧而撕裂, 废料容易拆卸。 Separate motor is used to control the auto winding device, which makes the waste film is not too loose or too tight to crack, the waste film can be easily removed.

示意图 Layout



技术参数 Technical Parameter

型号 Model	GH-400XL	GH-700XL	SF-5035LG
功率 Power	3kw	4kw	16kw
电源 Power Supply	AC220V 1/3PH 50/60HZ	AC220V 1/3PH 50/60HZ	AC380/220V 3PH 50/60HZ
包装尺寸 Packing Size L x W x H	L+H≤530, W+H≤430mm H≤200mm	L+H≤750mm W+H≤580mm H≤220mm	炉腔尺寸 Chamber Size 1500 x 500 x 350mm
最大膜卷外径 Max. Outer Dia. of Film Roll	350mm		/
L封切刀尺寸 L-bar Blade Size	550 x 450mm	770 x 600mm	/
包装速度 Packing Speed	0~20m/min.	0~20m/min.	0~20m/min.
外接气源 External Air Source	5~8 bar		
工作台高度 Working Table Height	825 ± 25mm		
适用收缩膜 Shrink Film	POF		
机械尺寸 Machine Size L x W x H	1785 x 850 x 1450mm	2100 x 1000 x 1450mm	1800 x 985 x 1310mm
木箱尺寸 Crate Size L x W x H	1890 x 950 x 1600mm	2200 x 1100 x 1600mm	1820 x 1085 x 1460mm
毛净重 G./N. Weight	500/450kgs	650/600kgs	485/450kgs

全自动L型封切收缩包装机

Fully-auto L Bar Sealer & Shrink Tunnel

产品特点 Product Features

- 所有调节刻度显示:
All adjustment scales are displayed;
- 密接功能可供选择:
Kissing device as an option;
- 配有水平及垂直进口检测光电各一组, 便于切换选择。对于薄与小的包装物, 也可轻易完成封口包装作业:
Imported horizontal and vertical detection sensors for choices. Easily finished the sealing of thin and small items;
- 切刀带有自动保护功能, 能有效防止误切包装物:
The cutter has auto protection function to prevent from accidental cutting;
- 封刀采用杜邦特弗龙涂层抗粘耐高温合金钢刀, 封口不会开裂、不会焦化、不冒烟零污染。
Sealing blade adopts the alloy steel with DuPont Teflon which is anti-stick coating & anti-high temperature. The sealing will not have cracking, coking and smoking with zero pollution.

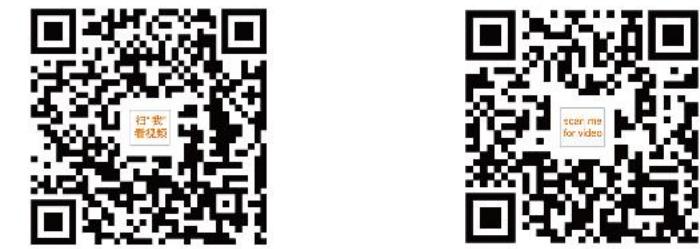
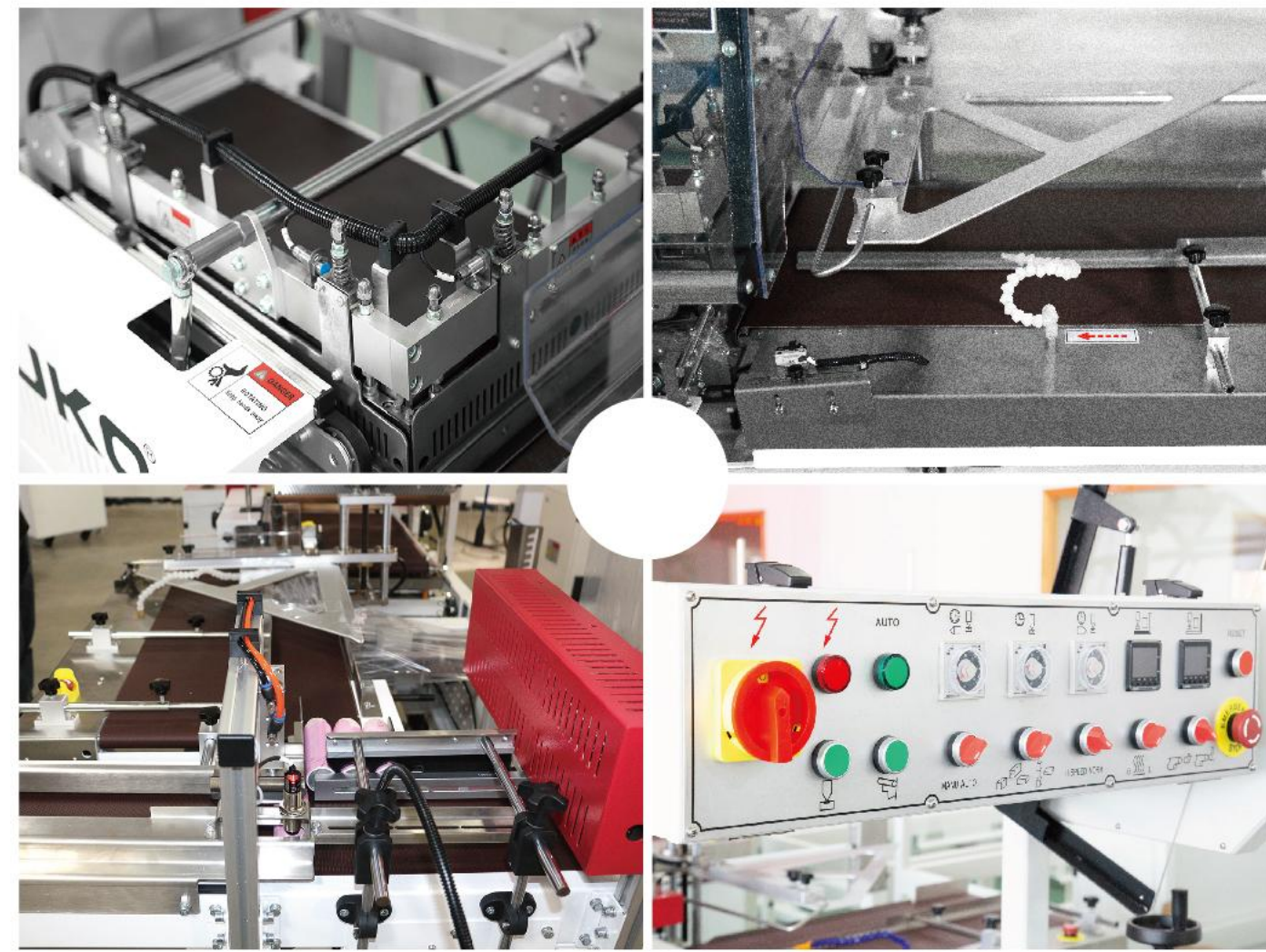
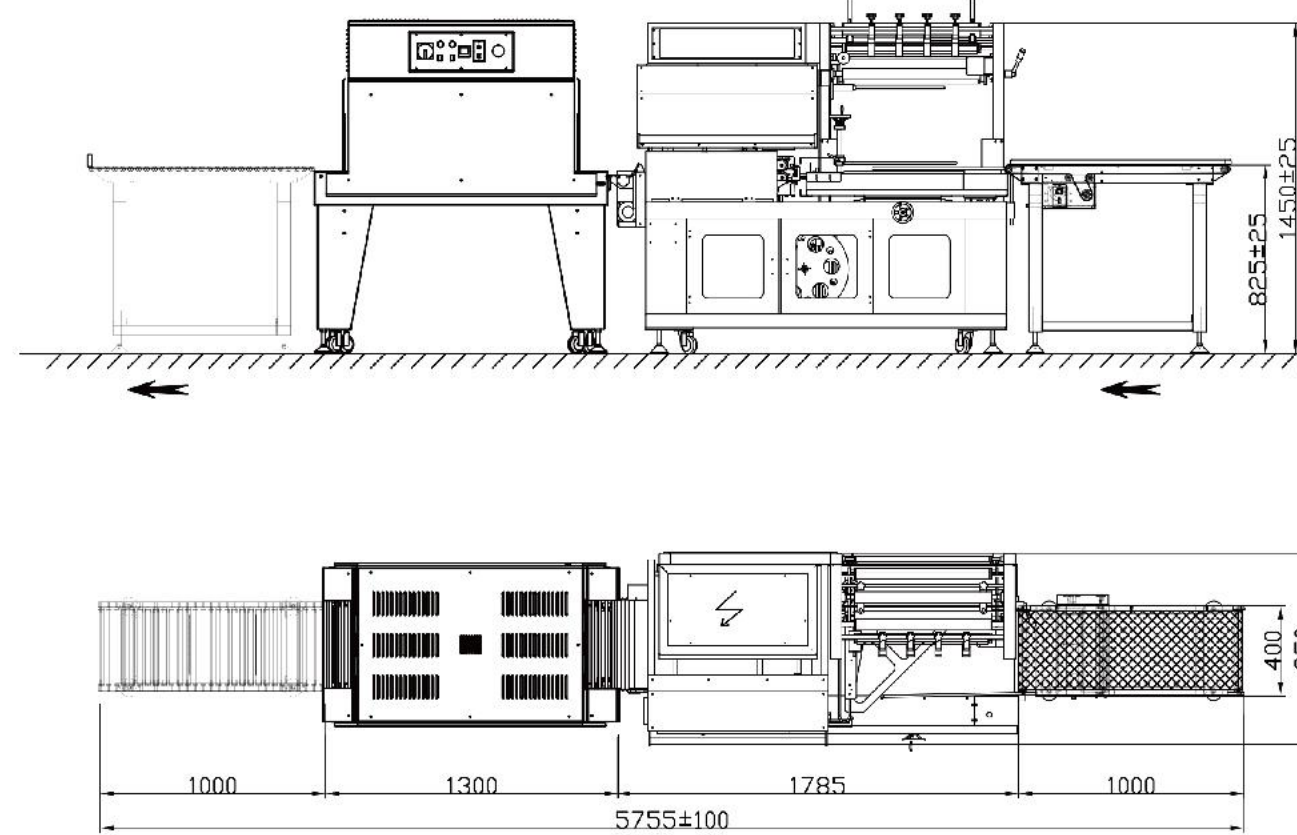


示意图 Layout



技术参数 Technical Parameter

型号 Model	SF-300LAC	SF-400LA	SF-400LAC	SF-500LA	SF-600LA	SF-4525
功率 Power	2.2kw	2.0kw	2.3kw	2.5kw	3.4kw	9kw
电源 Power Supply	AC220V 1/3PH 50/60HZ					AC220/380V 3PH 50/60HZ
L封切刀尺寸 L-bar Blade Size	350 × 280mm	550 × 450mm	550 × 450mm	650 × 550mm	800 × 700mm	/
包装尺寸 Packing Size L x W x H	L+H≤330mm W+H≤240mm H≤135mm	L+H≤530mm W+H≤430mm H≤135mm	L+H≤530mm W+H≤430mm H≤135mm	L+H≤600mm W+H≤500mm H≤150mm	L+H≤780mm W+H≤680mm H≤150mm	炉腔尺寸 Chamber Size 1000 x 450 x 250mm
包装速度 Packing Speed	15m/min.					0~20m/min.
外接气源 External Air Source	5~8 bar					/
适用收缩膜 Shrink Film	POF/PE					POF
机械尺寸 Machine Size L x W x H	1442 × 685 × 1538mm	1785 × 850 × 1450mm	1785 × 850 × 1450mm	2065 × 1085 × 1600mm	2240 × 1185 × 1600mm	1300 × 720 × 1500mm
木箱尺寸 Crate Size L x W x H	1540 × 785 × 1690mm	1890 × 950 × 1700mm	1900 × 950 × 1650mm	2165 × 1185 × 1750mm	2340 × 1285 × 1750mm	1630 × 820 × 1300mm
毛净重 G./N. Weight	423/393kgs	480/450kgs	495/465kgs	575/525kgs	605/550kgs	315/245kgs

半自动L封切收缩包装机

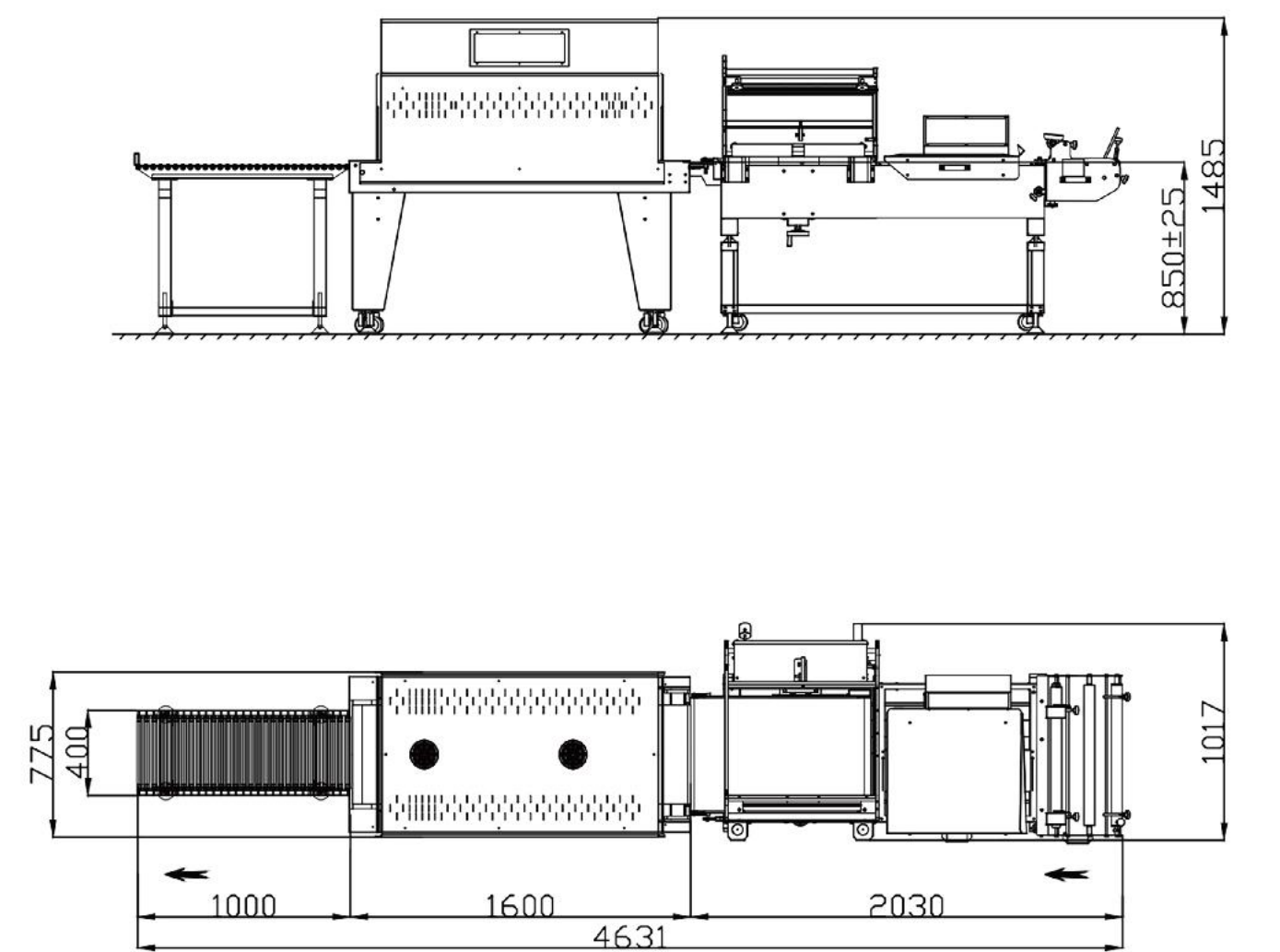
Semi-auto L Sealer & Shrink Tunnel

产品特点 Product Features

- 采用“L”型人工封切, 自动传输进收缩机室, 完成收缩过程:
Adopting L bar sealing, automatically feeds the products into shrink chamber and complete the shrinking process;
- 滑动式胶膜支架可放置各种规格收缩膜, 打孔装置顺滑:
Sliding bracket can accommodate shrink film of various specifications while the perforating device can operate smoothly;
- 手动摇轮便于调节输送带高低, 以便封口线居中:
The handwheel facilitates adjusting the height of the conveyor belt to center the sealing line;
- 通过时间继电器精确控制封切时间。
The sealing time controlled by time relay for precise adjustment.



示意图 Layout

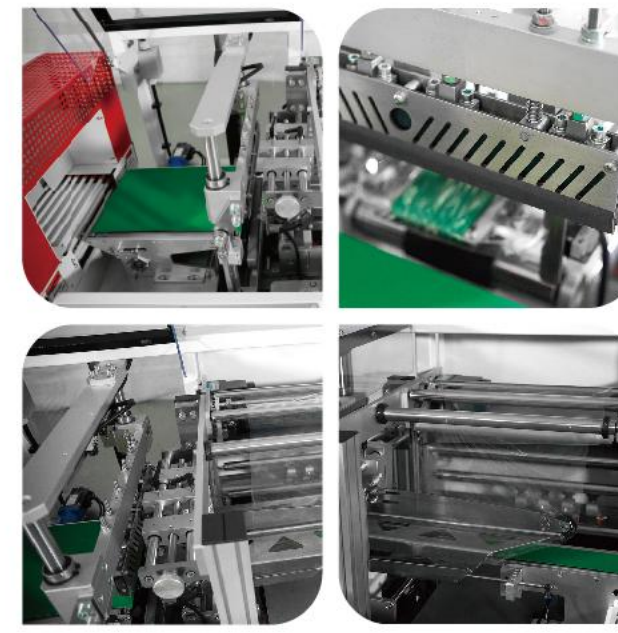


技术参数 Technical Parameter

型号 Model	SF-20LG SF-20LG/B	SF-30LG	SF-50LG	SF-60LG	SF-5030
功率 Power	2.8kw	2.8kw	5kw	5kw	12kw
电源 Power Supply	AC 220V 1/3PH 50/60HZ				AC 220/380V 3PH 50/60HZ
L型封口尺寸 L-bar Sealing Size	550 x 450mm	700 x 600mm	1000 x 800mm	1200 x 900mm	/
包装尺寸 Packing Size	L+H≤530mm W+H≤430mm H≤200mm	L+H≤650mm W+H≤550mm H≤200mm	L+H≤900mm W+H≤700mm H≤300mm	L+H≤1100mm W+H≤800mm H≤300mm	炉腔尺寸 Chamber Size 1300 x 500 x 300mm
最大膜卷外径 Max Outer Dia. of Film Roll	350mm				
最大承载量 Max. Loading Weight	25kgs	25kgs	30kgs	35kgs	30kgs
包装速度 Packing Speed	5~8m/min.				0~10m/min.
机械尺寸 Machine Size L x W x H	1800 x 930 x 1050mm	2030 x 1017 x 1100mm	2900 x 1300 x 1100mm	3270 x 1080 x 1140mm	1600 x 780 x 1485mm
木箱尺寸 Crate Size L x W x H	1900 x 1030 x 1250mm	2130 x 1117 x 1250mm	3000 x 1400 x 1300mm	3370 x 1180 x 1340mm	1700 x 880 x 1635mm
毛净重 G./N. Weight	230/185kgs	360/300kgs	605/550kgs	655/600kgs	350/315kgs

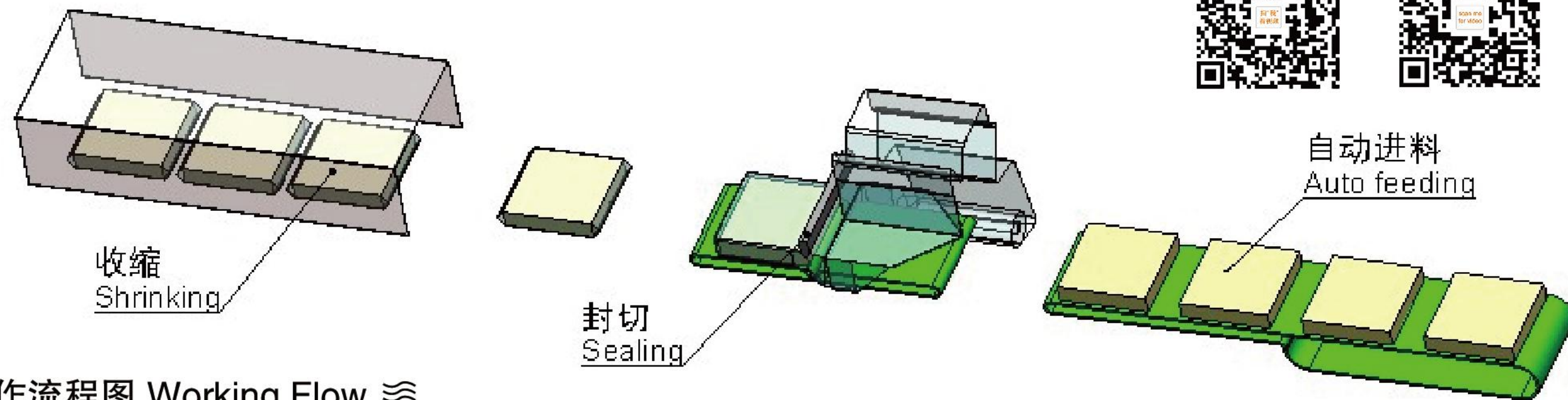
全自动静电型封切收缩包装机

Fully-auto Static Sealing Shrink Wrapping Machine



产品特点 Product Features

- 机器设计紧凑，占地面积小；
Compact design saves space;
- 刀体表面镀有耐高温特氟龙涂层，有效防止粘连，保持封切顺畅；
The blade is coated with high temperature resistant PTFE for anti-sticking and keep smooth sealing;
- 利用静电封单层薄膜的重叠部分，易于搓开；
Use static to seal the overlapping parts of single-layer films, easy to open;
- 送膜系统由精密限位开关控制，有效降低了薄膜损耗，实现了成本节约。
The film feeding is controlled by precise limit switch which reduces film consumption to save cost.

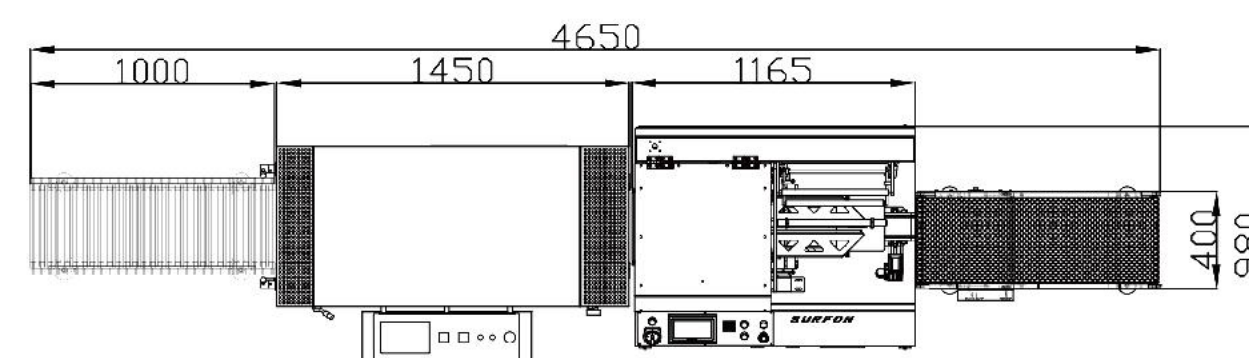
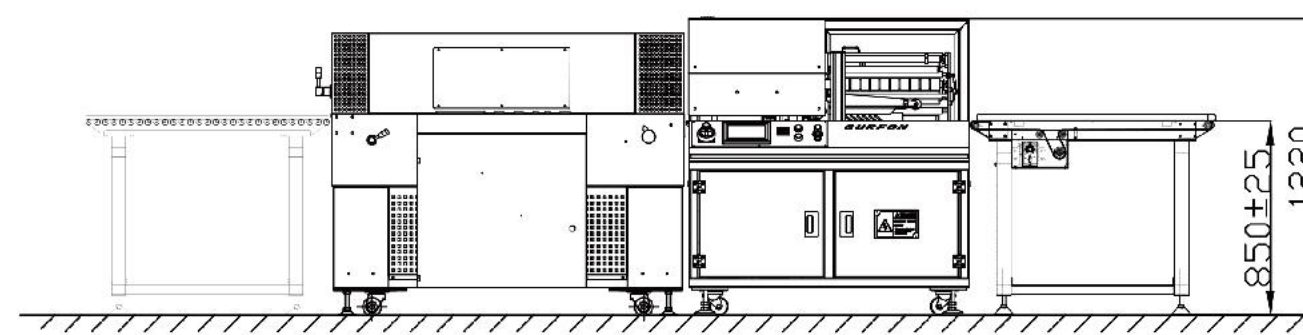


工作流程图 Working Flow

技术参数 Technical Parameter

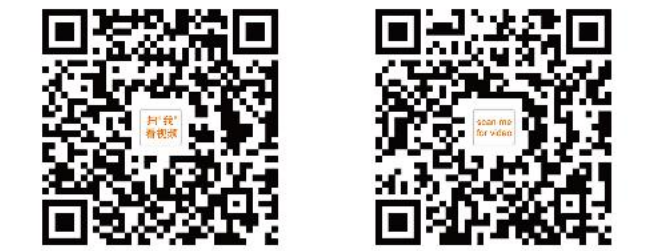
型号 Model	GH-300SJ	SF-4020G
功率 Power	3.2kw	10.8kw
电源 Power Supply	AC220V 1PH 50/60HZ	AC380/220V 3PH 50/60HZ
最大封口尺寸 Max.Sealing Size	450mm	/
最大包装尺寸 Max. Packing Size L x W x H	250 x 250 x 100mm	炉腔尺寸 Chamber Size L x W x H 1150 x 400 x 200mm
最小包装尺寸 Min. Packing Size L x W x H	100 x 100 x 10 mm	/
最大包装膜卷 Max. Diameter of Film Roll	300mm	/
适用收缩膜 Shrink Film	POF	
外接气源 External Air Source	5~8 bar	
包装速度 Packing Speed	0~15m/min.	
机械尺寸 Machine Size L x W x H	1165 x 900 x 1200mm	1450 x 865 x 1090mm
木箱尺寸 Crate Size L x W x H	1265 x 1000 x 1350mm	1550 x 965 x 1240mm
毛净重 G./N. Weight	560/490kgs	450/370kgs

示意图 Layout



全自动纸币包装机

Fully-auto Banknote Wrapper



产品特点 Product Features

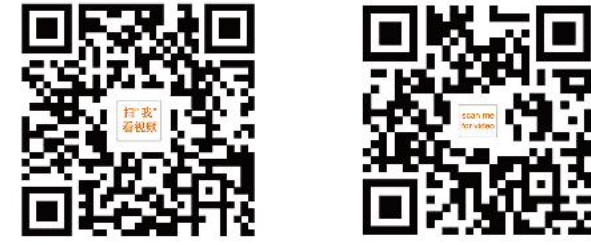
- 本机提高了纸币的打包效率，减少了纸币在流通过程中的损耗，对纸币起到保护作用；
The machine improves the packing efficiency of the banknotes, reduces the loss of the banknote in the circulation process, and plays an important role of protection;
- 采用工控系统，可以打印冠字号、录入信息、二维码等；
Adopting industrial control system, you can print serial number, input information, QR code, etc;
- 可与电脑对接，方便数据对应，利于信息的采集；
Compatible with computers, ensuring data correspondence and facilitating information collection;
- 自动进料，压缩，捆扎，封切，收缩一次性完成，因此被广泛应用于大批量的银行货币包装流水作业，工作效率高；
Automatic feeding, compression, strapping, sealing and shrinking at one-time completion, it is widely used in large quantities of bank currency packaging operations with high efficiency;
- 伺服马达控制，先进的PLC和触摸屏保证了精确的动作；
Servo motor control, the advanced PLC and HMI to ensure the precise action;
- 废料收卷系统创造了干净和安全的生产环境。
Waste film recycling system creates a clean and safe production environment.

技术参数 Technical Parameter

型号 Model	GH-3020BM	功率 Power	3kw
电源 Power Supply	AC 220V 1/3PH 50/60HZ	封刀尺寸 Cross Blade Size	204mm
包装速度 Packing Speed	5~8pcs/min.	适用收缩膜 Shrink Film	POF
捆扎带 Strapping Tape	PE	捆扎带宽度 Strapping Tape Width	60mm
最大包装尺寸 Max. Packing Size L x W x H	155 x 77 x 150mm	工作台高度 Table Height	750mm
最大膜卷外径 Max. outer Dia of Film Roll	250mm	机械尺寸 Machine Size L x W x H	1375 x 800 x 1673mm
毛净重 G./N. Weight	475/450kgs	木箱尺寸 Crate Size L x W x H	1475 x 900 x 1873mm

全自动膜包机

Fully-auto Film Wrapping Machine

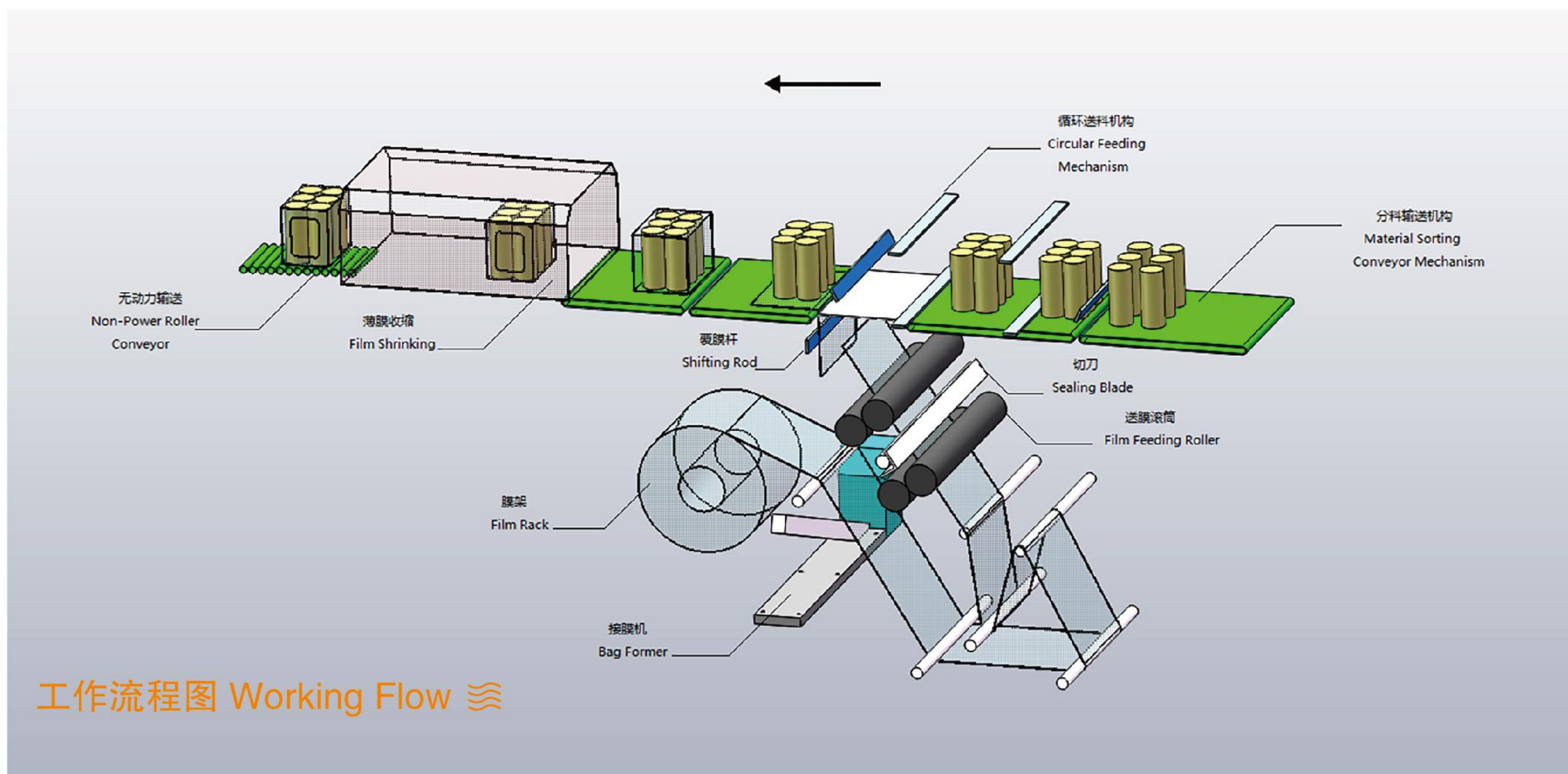
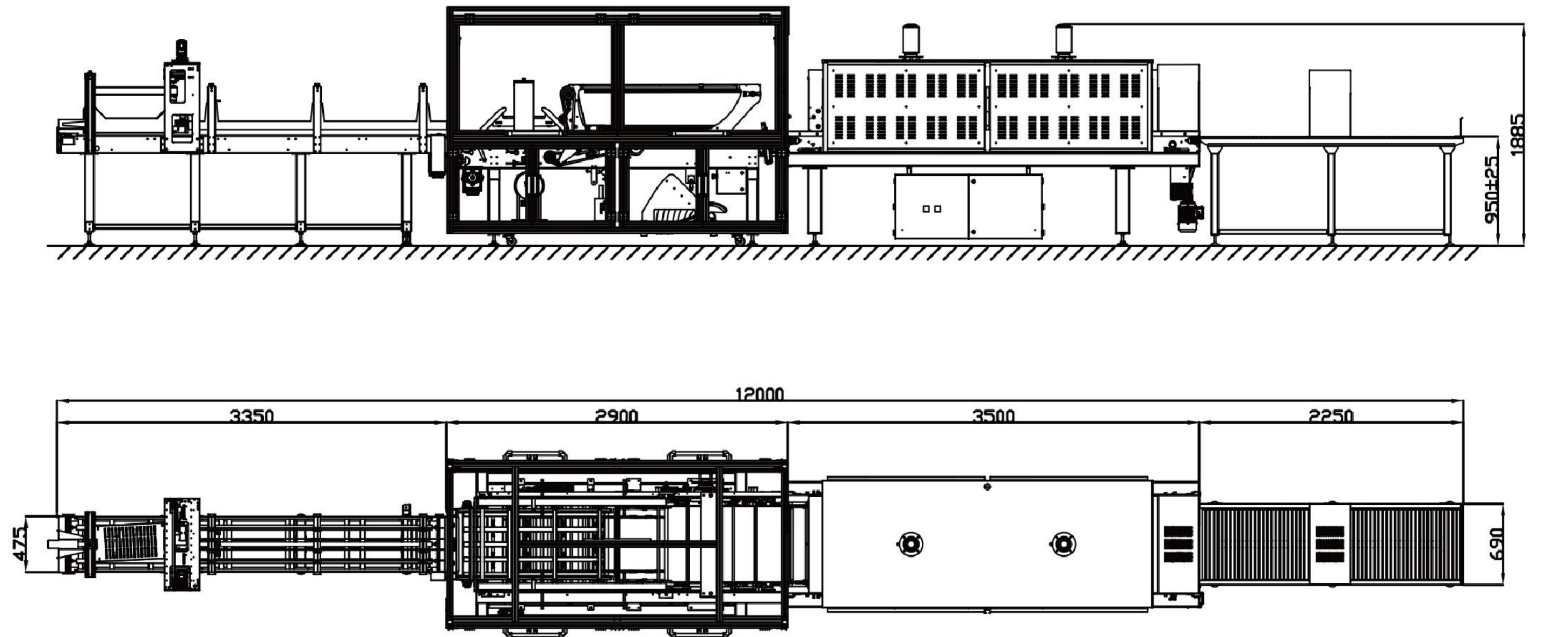


产品特点 Product Features

- 采用分道式送瓶设计，气缸或伺服分道可选。实现有序送瓶，提升生产效率；
Adopts lane-divided bottle feeding design with optional pneumatic cylinder or servo-driven lane division, enabling orderly bottle feeding and improving production efficiency;
- 可使用彩色收缩膜；
Colored shrink film compatible;
- 采用气动扩张方式支撑膜卷，确保送膜稳定；搭配电子感应装置，实现换膜高效快捷；
Pneumatic expansion supports the film roll for stable delivery, and electronic induction enables quick and efficient film replacement;
- 配备伺服系统，运行精准平稳，定位精度高；
Equipped with servo system ensures precise and smooth operation with high accuracy;
- 可切换的自动与手动控制系统；
Switchable automatic and manual control system;
- 采用在线式覆膜技术路线，可根据产品运行间隙进行薄膜片的搭接实现单包包装，最大化提高设备产能。
The online film wrapping technology which enables lap joint of film sheets according to the product running intervals to achieve single package wrapping, and maximizes the equipment capacity.



示意图 Layout



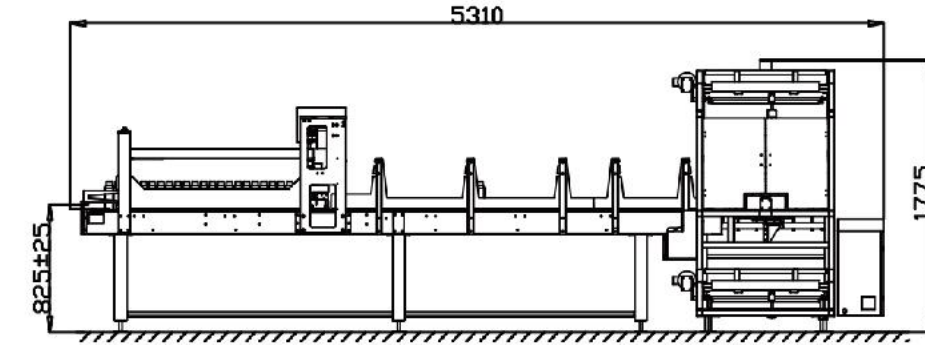
工作流程图 Working Flow

技术参数 Technical Parameter

型号 Model	GH-6030SL	GH-6030HL	SF-6040E
功率 Power	15kw	20kw	28kw
电源 Power Supply	AC 380V 3PH 50/60HZ		AC 380V 3PH 50/60HZ
包装尺寸 Packing Size L x W x H	400 x 400 x 250mm		炉腔尺寸 Chamber Size 2500 x 600 x 400mm
切膜刀长度 Film Cutter Length	600mm		/
最大包装速度 Packing Speed	25packs/min.	45packs/min.	0~20m/min.
工作台高度 Working Table Height	825±25mm		
适用收缩膜 Shrink Film	PE		
机械尺寸 Machine Size L x W x H	6250 x 1425 x 1250mm	6250 x 1425 x 1250mm	3500 x 950 x 1700mm
木箱尺寸 Crate Size L x W x H	3900 x 1450 x 2200mm	3900 x 1450 x 2200mm	3600 x 1140 x 1850mm
毛净重 G./N. Weight	1700/1500kgs	1700/1500kgs	800/735kgs

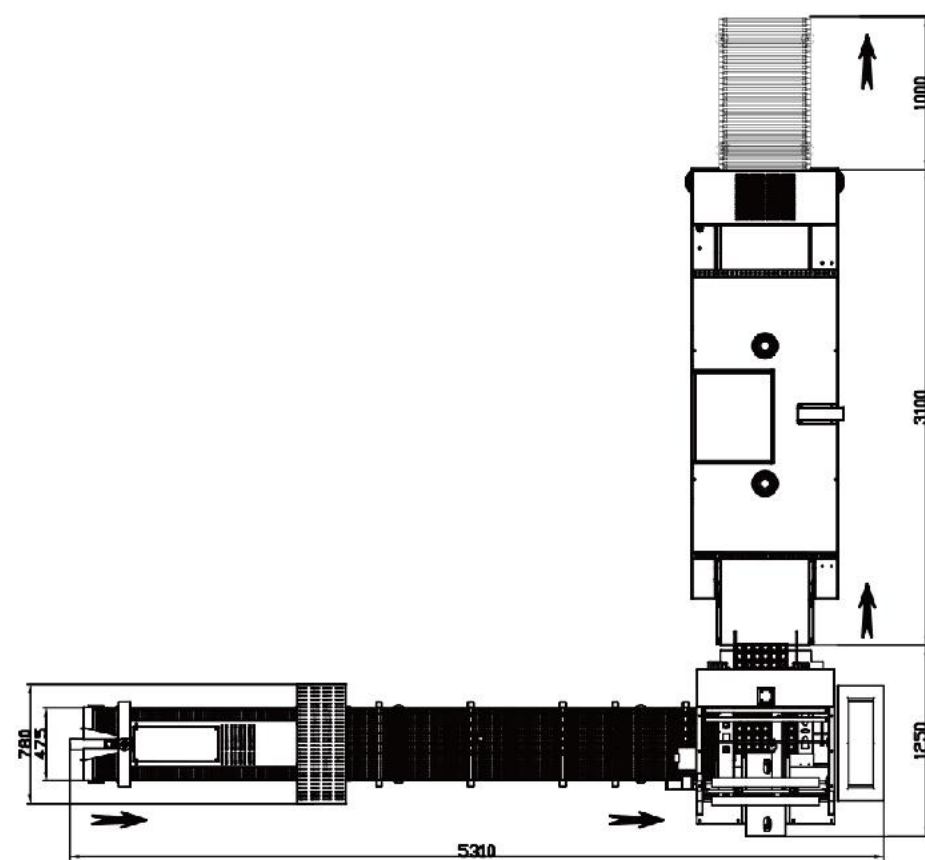
全自动袖口式封切收缩包装机(整列型)

Fully-auto Sleeve Sealer & Shrink Tunnel (Column Type)



产品特点 Product Features

- 自动计数日产量: Automatic counting daily output;
- GH-6030AHO款可对接灌装线实现自动化: GH-6030AHO can connect with the front filling line to achieve automation;
- 进料输送带可根据现场的需要设计成左侧进料或右侧进料的方式: Feeding conveyor can be designed in the left or right side as per your demands;
- 方形或圆形瓶类包装: 6瓶(2x3)、8瓶(2x4)、9瓶(3x3)、12瓶(3x4)、15瓶(3x5)、18瓶(3x6)、20瓶(4x5)、24瓶(4x6)等。
Square or round bottle's packing: 6 bottles (2 x 3), 8 bottles (2 x 4), 9 bottles (3 x 3), 12 bottles (3 x 4), 15 bottles (3 x 5), 18 bottles (3 x 6), 20 bottles (4 x 5), 24 bottles (4 x 6) etc.



技术参数 Technical Parameter

型号 Model	GH-6030AH	GH-6030AHO	SF-8050E
功率 Power	1.8kw	2kw	28kw
电源 Power Supply	AC 220V 1/3PH 50/60HZ		AC220/380V 3PH 50/60HZ
炉腔尺寸 Chamber Size L x W x H	/		1800 x 800 x 500mm
最大包装尺寸 Max. Packing Size L x W x H	300 x 500 x 300mm		/
横封刀长度 Cross Blade Size	670mm		/
包装速度 Packing Speed	0~12m/min.	0~12m/min.	0~15m/min.
工作台高度 Working Table Height	825 ± 25mm		/
外接气源 External Air Source	5~8 bar		/
适用收缩膜 Shrink Film	PE		
机械尺寸 Machine Size L x W x H	2710 x 1750 x 1775mm	5310 x 1250 x 1775mm	2850 x 1350 x 1800mm
木箱尺寸 Package Size L x W x H	4765 x 1440 x 2075mm	4550 x 2000 x 2175mm	2900 x 1400 x 1950mm
毛净重 G./N. Weight	570/520kgs	700/650kgs	835/780kgs



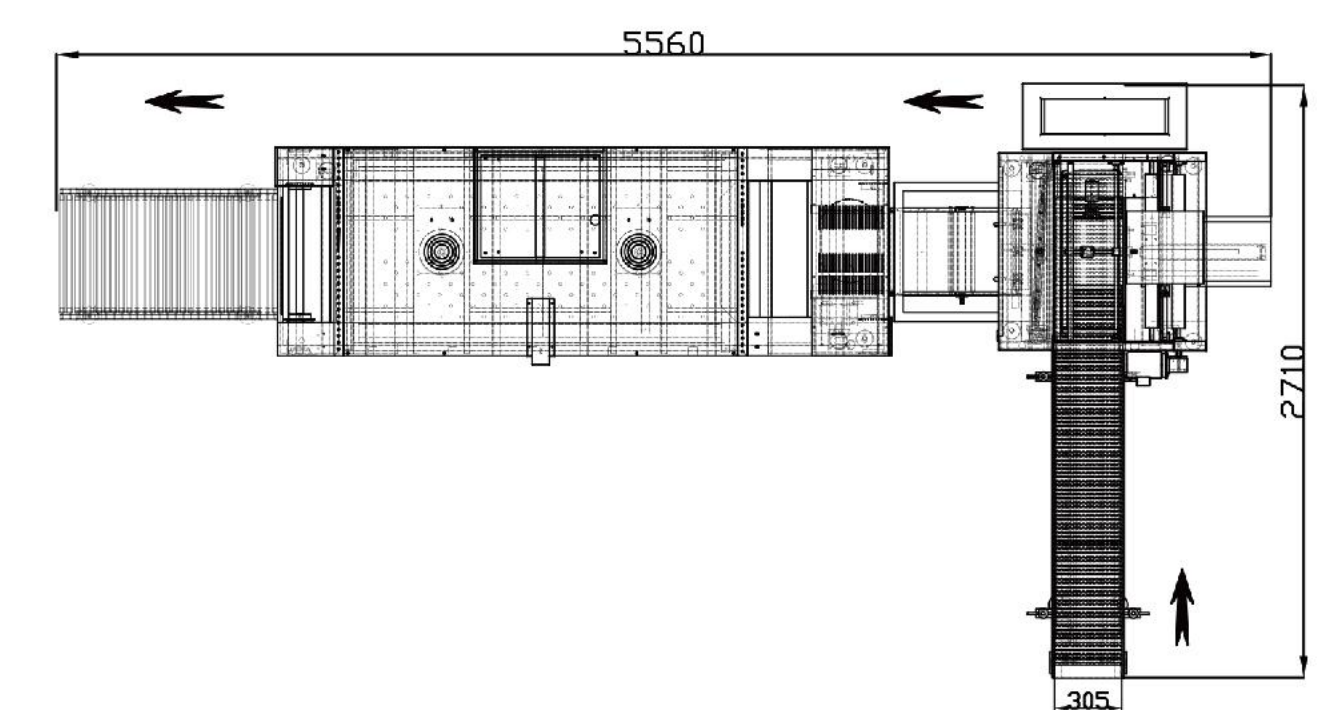
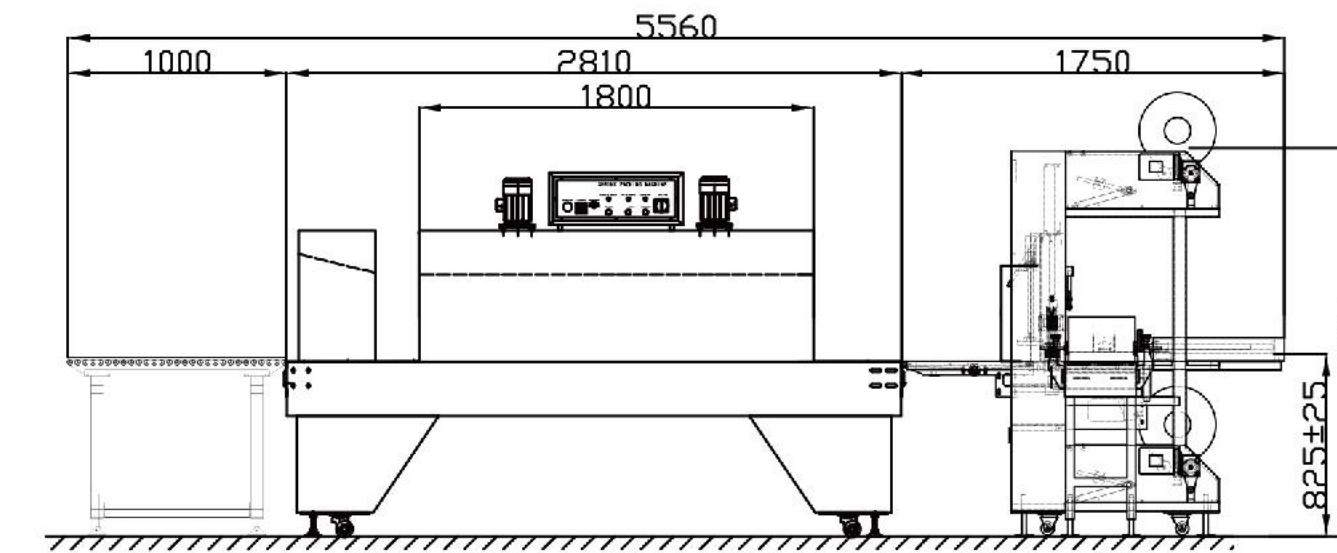
全自动袖口式封切收缩包装机(整体型)

Fully-auto Sleeve Sealer & Shrink Tunnel (Integral Type)



产品特点 Product Features

- 针对包装单个物体或有纸托的物品而设计: A single object or group object with paper tray packing;
- 感应式送膜, 大大减少薄膜的损耗: Inductive film-feeding greatly reduces film waste;
- 采用特别设计的三片式封刀, 封口线牢固、不开裂、不易粘刀: Specially designed three-piece sealing blade makes sure solid sealing line, no cracking and anti-stick;
- 采用先进的PLC可编程序控制器与智能触摸屏配套: 实现机、电、气一体化。The usage of advanced PLC and HMI achieves the integrations of mechanism, electricity and pneumatic.



技术参数 Technical Parameter

型号 Model	GH-6030A (670mm)	GH-6030A (800mm)	GH-6030A (1000mm)	GH-6030A (1300mm)	SF-8060E
功率 Power	3kw	3.5kw	4kw	4.5kw	28kw
电源 Power Supply	AC 220V 1/3PH 50/60HZ				AC220/380V 3PH 50/60HZ
最大包装尺寸 Max. Packing Size	300 x 500 x 300mm	400 x 600 x 400mm	500 x 800 x 400mm	600 x 1000 x 600mm	炉腔尺寸 Chamber Size 1800 x 800 x 600mm
横封刀长度 Cross Blade Size	670mm	800mm	1000mm	1300mm	/
最大膜卷外径 Max. Outer Dia. Of Film Roll	350mm				/
台面高度 Table Height	825 ± 25mm				/
包装速度 Packing Speed	0~15m/min.				/
外接气源 External Air Source	5~8 bar				/
适用收缩膜 Shrink Film	PE				
机械尺寸 Machine Size L x W x H	2710 x 1750 x 1775mm	2950 x 1500 x 1900mm	2950 x 1675 x 1900mm	2950 x 1850 x 1900mm	2810 x 1150 x 1900mm
木箱尺寸 Crate Size L x W x H	2810 x 1850 x 1925mm	3100 x 1600 x 2050mm	3100 x 1775 x 2050mm	3100 x 1950 x 2050mm	2900 x 1250 x 2150mm
毛净重 G./N. Weight	480/410kgs	620/520kgs	800/735kgs	920/830kgs	800/735kgs

全自动袖口式封切收缩包装机 (多层型)

Fully-auto Sleeve Sealer & Shrink Tunnel (Multi-layers)



全自动袖口式封切收缩包装机 (多排型)

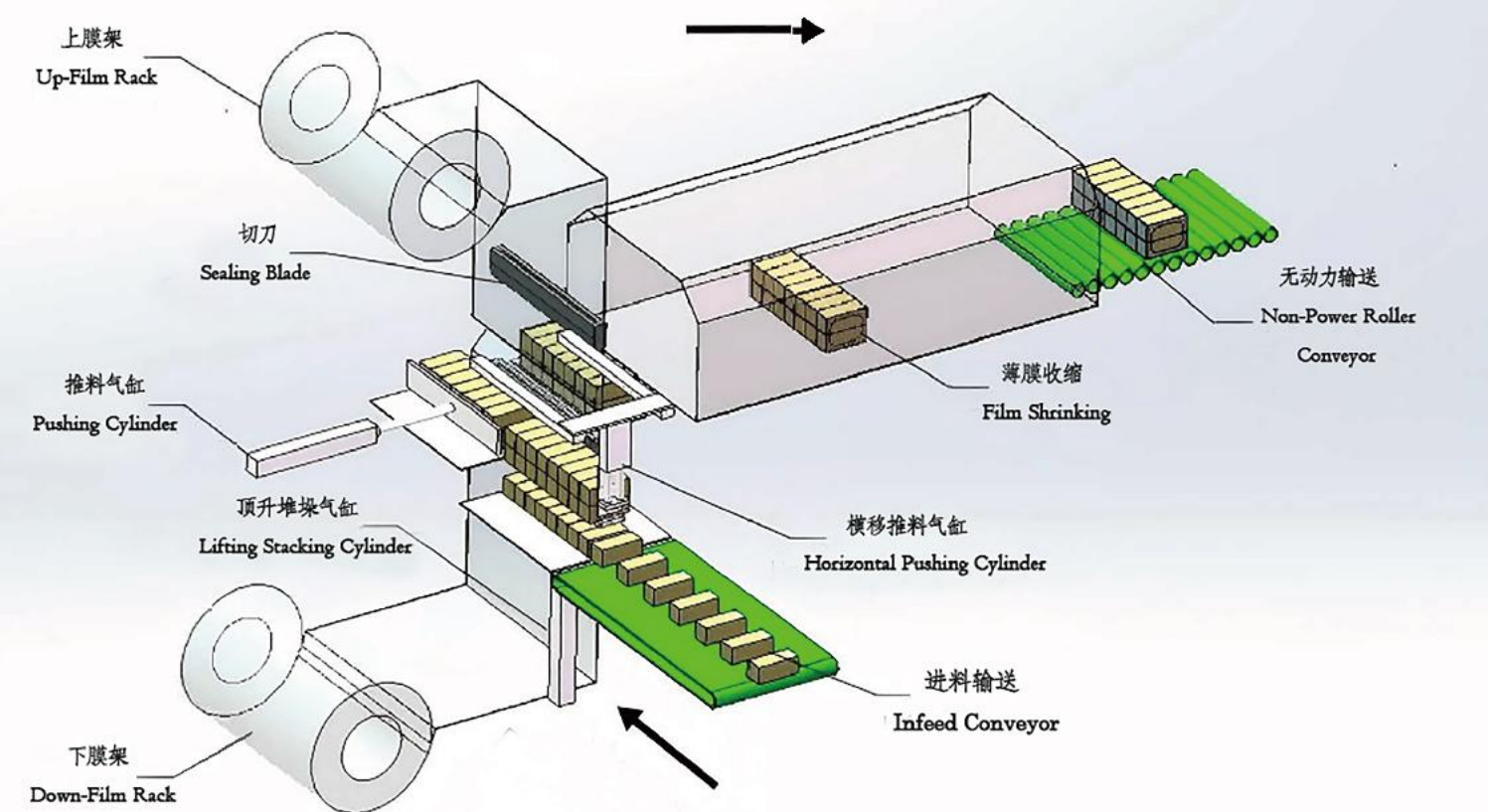
Fully-auto Sleeve Sealer & Shrink Tunnel (Multi-rows)



产品特点 Product Features

- 适用于向上码垛款各类盒子或多层多排的码垛; Suitable for multi layers & rows boxes stacking;
- 采用特别设计的封刀, 封口线牢固、不开裂、不易粘刀; A specially designed blade makes sure solid sealing line, no cracking and anti-stick;
- 进料采用链网式输送, 速度快且运行平稳; The feeding part uses chain conveyor which is fast and smooth;
- 可订做双膜架满足高速需求。 Customizable double film holder to meet high speed requirements.

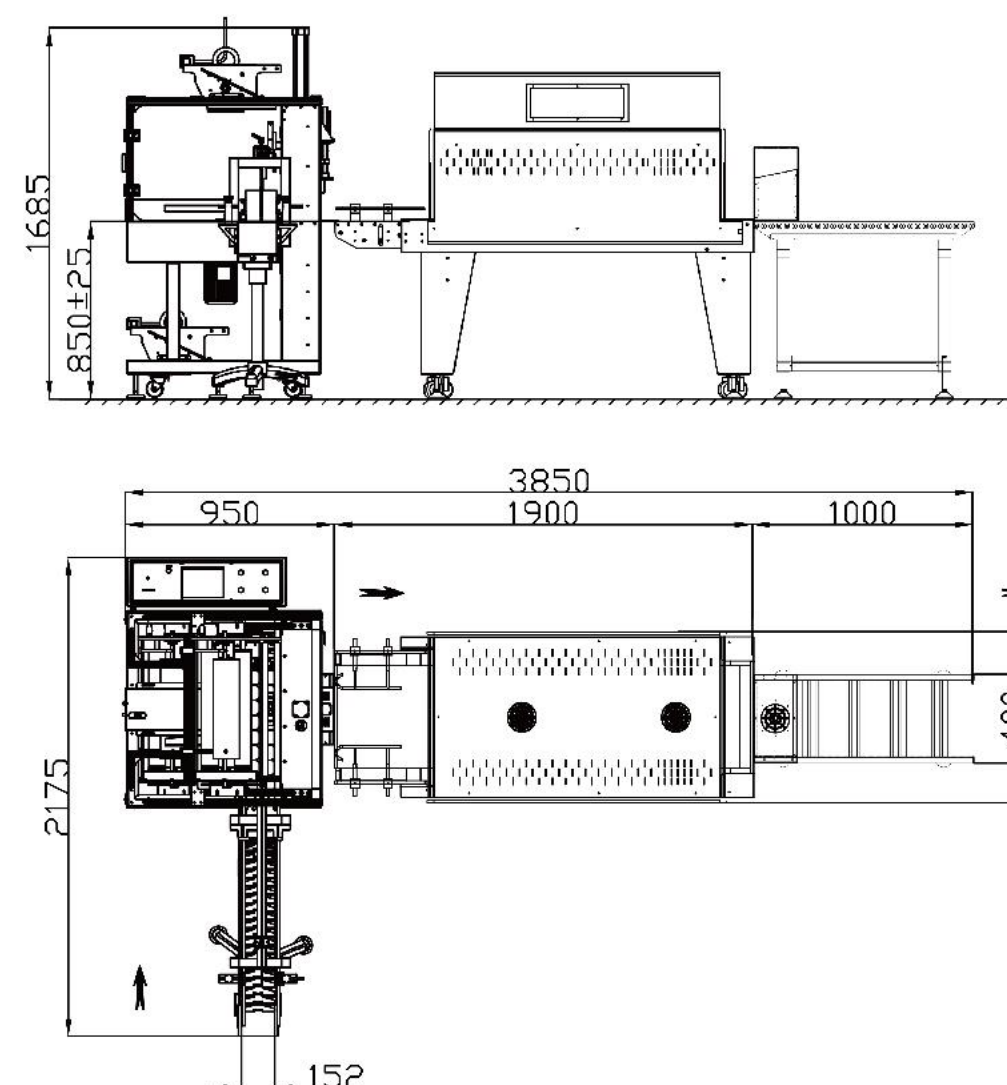
工作流程图 Working Flow



技术参数 Technical Parameter

型号 Model	GH-5030UE	SF-5030E
功率 Power	1.2kw	12kw
电源 Power Supply	AC 220V 1PH 50/60HZ	AC 220/380V 3PH 50/60HZ
最大包装尺寸 Max. Packing Size	300 x 200 x 200mm	炉腔尺寸 Chamber Size L x W x H 1300 x 500 x 300mm
横封刀长度 Cross Blade Length	600mm	/
工作台高度 Table Height	850 ± 25mm	
包装速度 Packing Speed	0~12/min.	0~15/min.
外接气源 External Air Source	5~8 bar	/
适用收缩膜 Shrink Film	PE	
机械尺寸 Machine Size L x W x H	2175 x 950 x 1685mm	1900 x 780 x 1650mm
木箱尺寸 Crate Size L x W x H	2225 x 1000 x 1835mm	2000 x 880 x 1800mm
毛净重 G./N. Weight	405/360kgs	450/400kgs

示意图 Layout



产品特点 Product Features

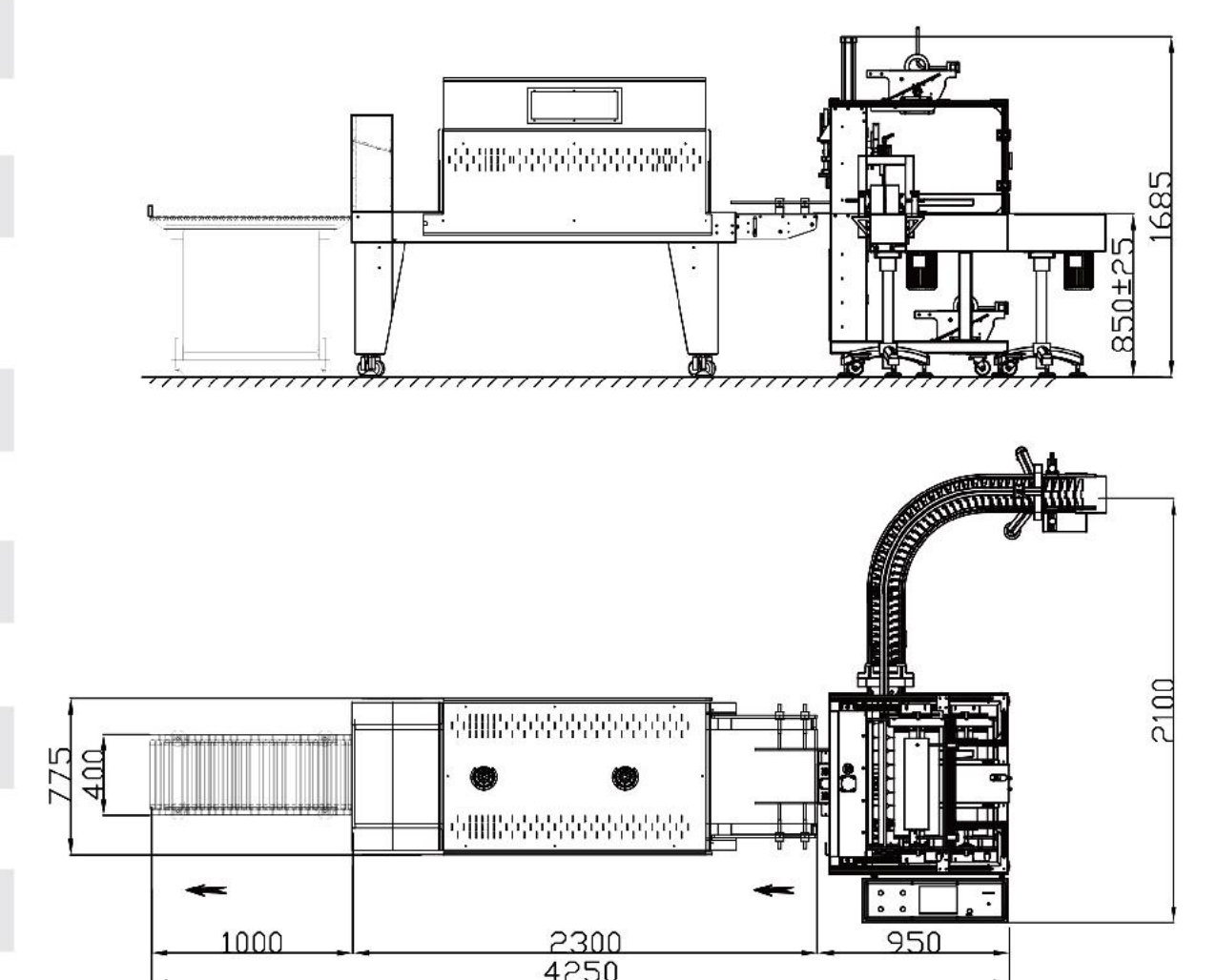
- 进口光电, 准确定位各种设置; Using imported photo sensor to make accurate positioning of various setting;
- 采用先进的PLC可编程程序控制器和智能触摸屏, 实现机、电、气一体化; The usage of advanced PLC and smart HMI to achieve the integrations of mechanism, electricity and pneumatic;
- 不同的包装形式在设计好的触摸屏上即可完成, 同时对生产量可进行计数; Different types of packaging can be selected on the HMI, while the production volume can be counted;
- 进料采用皮带式输送, 速度快, 运行平稳, 根据需要可增加彩膜定位系统; The feeding part uses belt conveyor which is fast and smooth; as required to increase the color film positioning system;
- GH-5030AE+SF-5030E适用于各类盒子或瓶子单排或多排数的集体无底托收缩包装, 具有自动排列功能, 大大提高了生产效率, 产品经过包装后具有外观整洁、紧凑不散, 保证物品质量及整体性运输方便。 GH-5030AE+SF-5030E is fit for a wide range of shrink wrapping with single or multi-rows boxes or bottles without paper tray. The automatic alignment improves the production efficiency. After packing the items have a compact and neat appearance which ensures the items' quality and integrity of convenient transportation.



技术参数 Technical Parameter

型号 Model	GH-5030AE	SF-5030E
功率 Power	1.2kw	16kw
电源 Power Supply	AC 220V 1PH 50/60HZ	AC 220/380V 3PH 50/60HZ
最大包装尺寸 Max. Packing Size	300 x 200 x 200mm	炉腔尺寸 Chamber Size L x W x H 1500 x 500 x 300mm
横封刀长度 Cross Blade Length	600mm	/
工作台高度 Table Height	825 ± 25mm	
包装速度 Packing Speed	0~12/min.	0~15/min.
外接气源 External Air Source	5~8 bar	/
适用收缩膜 Shrink Film	PE	
机械尺寸 Machine Size L x W x H	2100 x 950 x 1685mm	2300 x 780 x 1650mm
木箱尺寸 Crate Size L x W x H	2200 x 1050 x 1835mm	2400 x 880 x 1800mm
毛净重 G./N. Weight	450/390kgs	520/470kgs

示意图 Layout



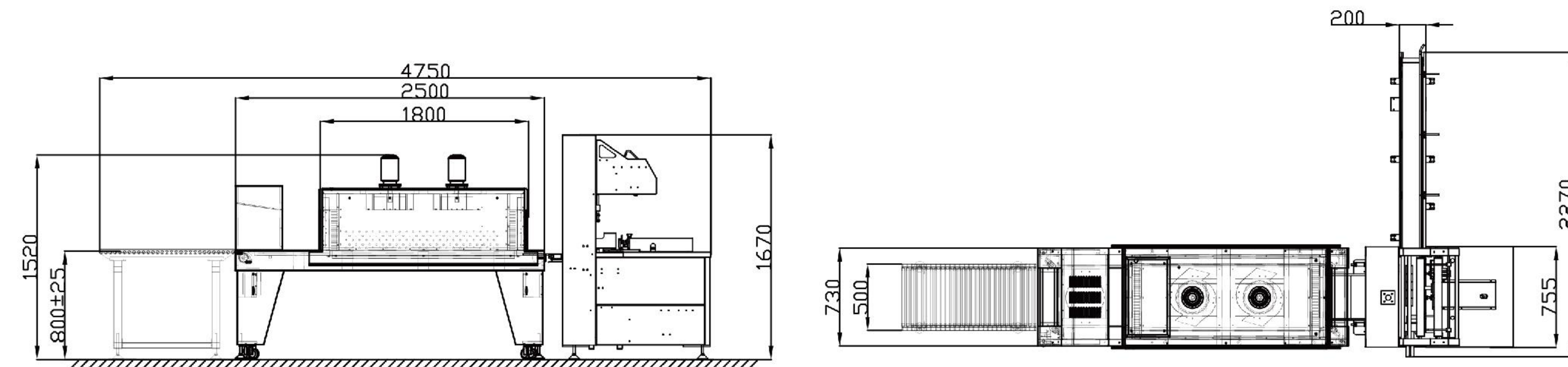
全自动袖口式封切收缩包装机(胶带类)

Fully-auto Sleeve Sealer & Shrink Tunnel (For Tapes)



产品特点 Product Features

- 适用于不同直径和宽度的胶带;
Suitable for different diameter and width tapes;
- 可单个或多个胶带的“塔式”包装;
Single or multiple tape "tower" packing;
- 进料采用皮带式输送, 速度快, 运行平稳, 可根据需要增加彩膜定位系统。
The feeding part uses belt conveyor which is fast and smooth; as required to increase the color film positioning system.



技术参数 Technical Parameter

型号 Model	GH-6030AE	SF-5030E
功率 Power	2kw	18kw
电源 Power Supply	AC 220V 1PH 50/60HZ	AC 220/380V 3PH 50/60HZ
最大包装尺寸 Max. Packing Size	φ180 x L400mm	炉腔尺寸 Chamber Size L x W x H 1500 x 500 x 300mm
横封刀长度 Cross Blade Length	570mm	/
包装速度 Packing Speed	0~12/min.	0~15m/min.
工作台高度 Working Table Height	850 ± 25mm	
外接气源 External Air Source	5~8 bar	/
适用收缩膜 Shrink Film	PE	
机械尺寸 Machine Size L x W x H	2270 x 1210 x 1670mm	2500 x 780 x 1650mm
木箱尺寸 Crate Size L x W x H	2370 x 1310 x 1820mm	2600 x 880 x 1800mm
毛净重 G./N. Weight	450/390kgs	520/470kgs

美纹纸收缩包装机

Masking Tapes Shrink Wrapper



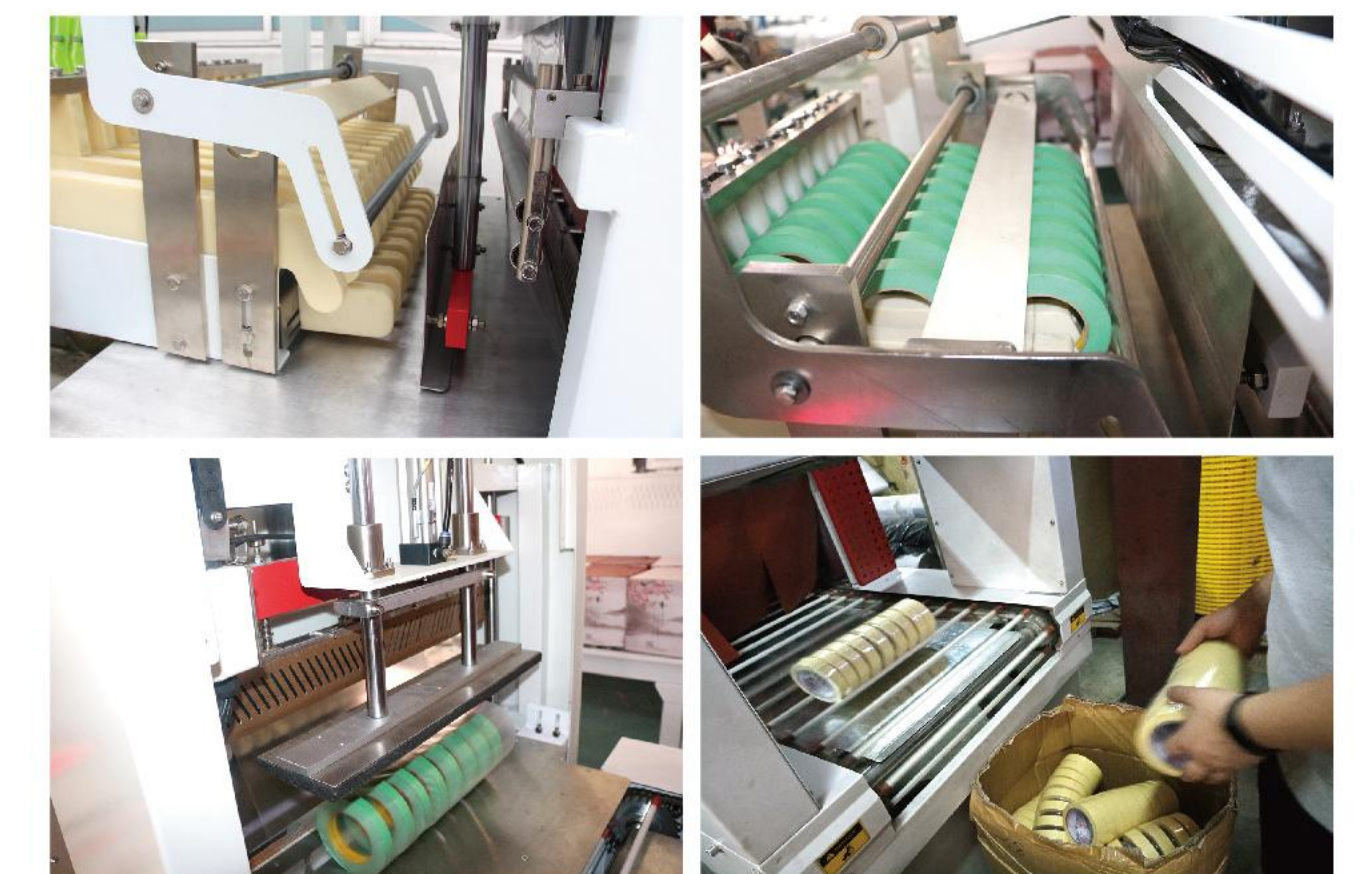
产品特点 Product Features

- 适用于风琴式美纹纸胶带的包装, 该种包装有效的防止了美纹纸胶带之间的粘连;
Suitable for accordion type masking tapes packing, it effectively prevents the adhesion between masking tapes;
- 可人工放料或连前段生产设备自动进料。
Manual feeding or automatic feeding of the front production line.



包装尺寸表 Packing Size Table

胶带宽度 Tape Width	卷/包 Rolls/Tower
24mm	6/8/10
25mm	6/8/10
30mm	6/9
36mm	4/6
38mm	4/6
48mm	3/6
50mm	3/6



技术参数 Technical Parameter

型号 Model	GH-6030AES	SF-8040E
功率 Power	2kw	25kw
电源 Power Supply	AC 220V 1PH 50/60HZ	AC 220/380V PH 50/60HZ
横封刀长度 Cross Blade Length	670mm	炉腔尺寸 Chamber Size L x W x H 1800 x 800 x 400mm
包装速度 Packing Speed	0~12/min.	0~15m/min.
外接气源 External Air Source	5~8 bar	/
适用收缩膜 Shrink Film	PE	
机械尺寸 Machine Size L x W x H	2250 x 1300 x 1810mm	2800 x 1340 x 1730mm
木箱尺寸 Crate Size L x W x H	2300 x 1350 x 1960mm	2940 x 1390 x 1880mm
毛净重 G./N. Weight	450/380kgs	405/380kgs

全自动移刀式袖口封切收缩包装机

Fully-auto Motion Sleeve Sealing & Shrink Tunnel

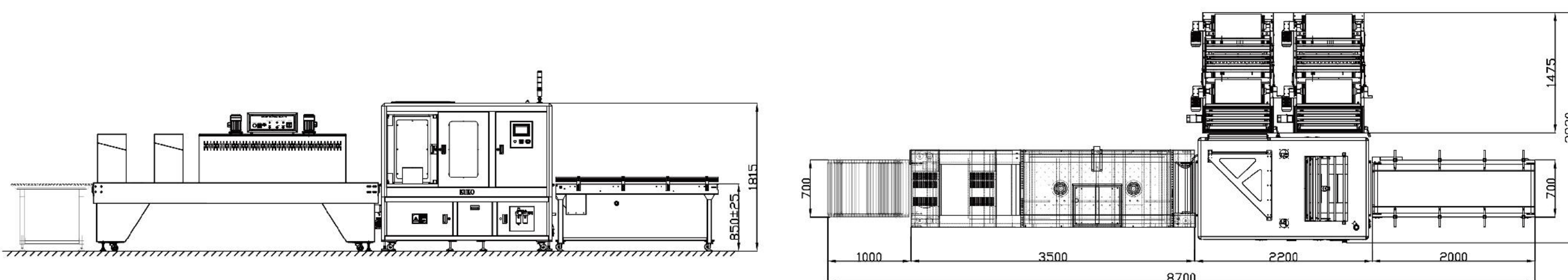


产品特点 Product Features

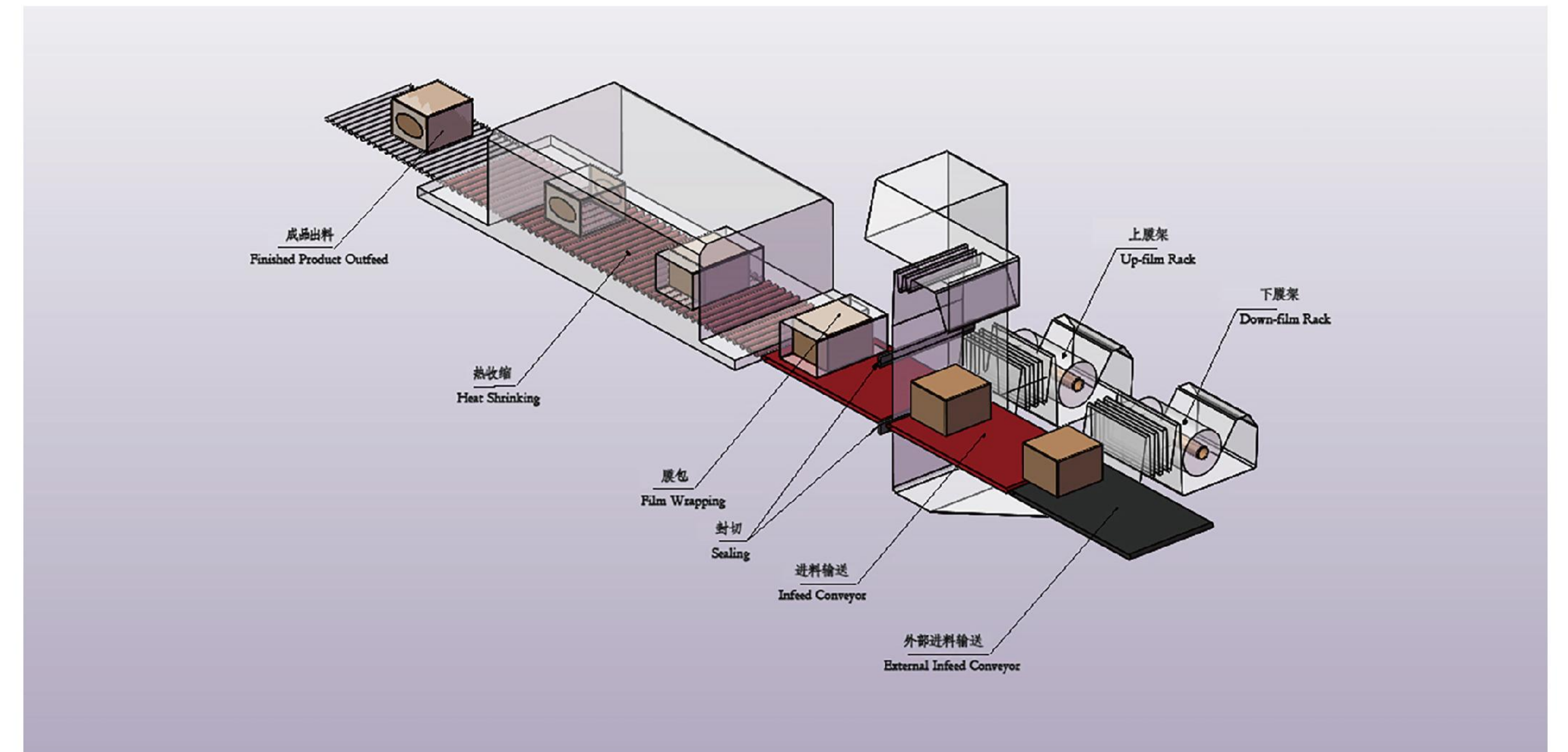
- 最大包装速度50包每分钟:
Max. packing speed: 50pcs/min.;
- 配置参数化调节功能, 能快速的在预设范围内进行产品切换:
Equipped with a parameterized adjustment function, it allows rapid product switching within preset ranges;
- 采用外置式薄膜卷布置, 方便装机更大的薄膜卷规格。同时配备自动薄膜熔接和切换功能, 实现不停机状态下耗材更换, 薄膜卷材布置在设备一侧方向, 便于操作人员工作:
Adopting an external film roll arrangement, facilitating the installation of larger-sized film rolls. It is also equipped with automatic film welding and switching functions, enabling consumable replacement within continuous operation, the film rolls are placed on one side of the equipment to make easier operation;
- 采用切刀“飞剪”技术路线, 可根据产品运行间隙自动寻找薄膜裁切封口, 最大化提高设备产能:
Adopting the "flying cut" technology for its cutting knife. It can automatically detect the film cutting and sealing positions based on the product movement gaps, maximizing the equipment's production capacity;
- 刀具采用双组正时皮带结构设计, 确保产品运行速度的同步性以及降噪性。
Adopting a double-set timing belt structure design, ensuring the synchronization of product running speed and noise reduction.



示意图 Layout



工作流程图 Working Flow



技术参数 Technical Parameter

型号 Model	GH-6030CM	SF-6050E
功率 Power	5kw	35kw
电源 Power Supply	AC 220/380V 3PH 50/60HZ	
包装尺寸 Packing Size L x W x H	300 x 500 x 300mm	炉腔尺寸 Chamber Size 2500 x 600 x 500mm
移刀长度 Motion Blade Length	670mm	/
包装速度 Packing Speed	10~30m/min.	0~30m/min.
工作台高度 Working Table Height	825 ± 25mm	
适用收缩膜 Shrink Film	PE	
机械尺寸 Machine Size L x W x H	2200 x 2830 x 1815mm	3500 x 950 x 1800mm
木箱尺寸 Crate Size L x W x H	2300 x 2930 x 1965mm	3600 x 1140 x 1950mm
毛净重 G./N. Weight	1000/900kgs	800/735kgs

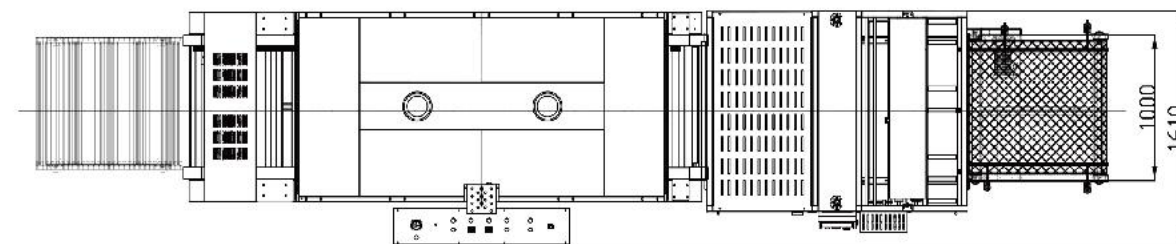
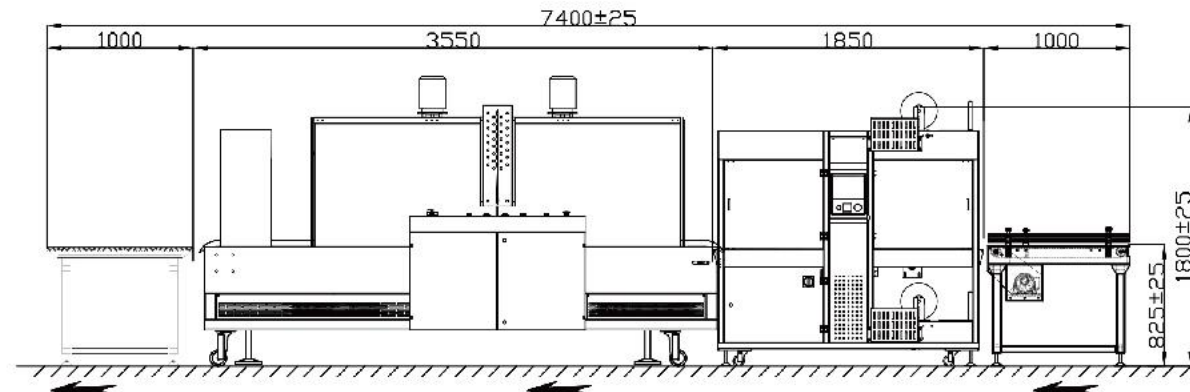
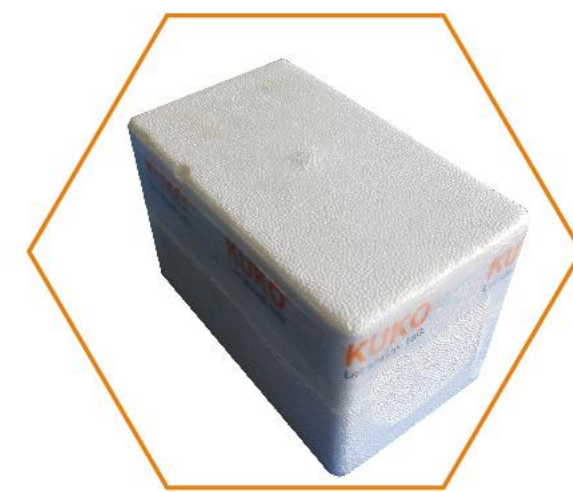
全自动直进式伺服袖口封切收缩机

Fully-auto Straight Servo Sleeve Sealer & Shrink Tunnel



产品特点 Product Features

- 伺服款最快速度：30个/分钟；
Servo type Max. Speed: 30pcs/min.;
- 气缸款最快速度：15个/分钟；
Cylinder type Max. Speed: 15pcs/min.;
- 伺服款备选：进行不同产品尺寸的混产；
Optional servo model: Mix production of different sizes;
- 放膜由单独的电机控制；
Film-releasing is controlled by separate motors;
- 采用独特的直线式设计，结构紧凑占地面积小。针对一些场地受限及包装过程中无需调整前进方向的产品，不会受包装物长度的限制。
Adopted the unique linear design with compact structure. It is very suitable for some limited space and packing items without adjusting the forward direction. No length limits of items.



技术参数 Technical Parameter

型号 Model	气缸款 Cylinder Type	伺服款 Servo Type	GH-6030AZ GH-6030AZS	670mm	GH-6030AZ GH-6030AZS	800mm	GH-6030AZ GH-6030AZS	1000mm	GH-6030AZ GH-6030AZS	1300mm	SF-10060E
功率 Power			3/3.7kw		3.5/4.2kw		4/4.7kw		5/5.7kw		30kw
电源 Power Supply			AC 220V 1/3PH 50/60HZ						AC 220/380V 3PH 50/60HZ		
最大包装尺寸 Max. Packing Size L x W x H			300 x 500 x 300mm		400 x 600 x 380mm		500 x 800 x 380mm		800 x 1000 x 500mm		炉腔尺寸 Chamber Size 2500 x 1000 x 600mm
工作台高度 Working Table Height			825±25mm.								
包装速度 Packing Speed			15m/min.						0~20m/min.		
外接气源 External Air Source			5~8 bar		None			/			
适用收缩膜 Shrink Film			PE								
机械尺寸 Machine Size L x W x H			1850 x 1190 x 1800mm		1850 x 1290 x 1800mm		1850 x 1370 x 1800mm		1850 x 1670 x 2180mm		3550 x 1610 x 1920mm
木箱尺寸 Crate Size L x W x H			1950 x 1290 x 2000mm		1950 x 1390 x 2000mm		1950 x 1470 x 2000mm		1950 x 1770 x 2380mm		3650 x 1710 x 2120mm
毛净重 G./N. Weight			450/420kgs		560/520kgs		780/740kgs		1030/940kgs		800/735kgs

全自动袖口式(焊丝圆型)封切收缩包装机

Fully-auto Sleeve Sealer & Shrink Tunnel (For Round Wire)



产品特点 Product Features

- GH-6030AC+SF-6040E全自动袖口式焊丝封切收缩包装机是针对单个圆形物体而设计。此机可与生产线对接自动进料、裹膜、封切、收缩、冷却定型，实现无人化流水作业；
GH-6030AC+ SF-6040E Fully-auto sleeve shrink wrapper is designed for a single round object. This machine can connect production line to make automatic feeding, wrapping, sealing, shrinking and cooling to achieve unmanned production;
- 感应式送膜大大减少薄膜的损耗；
Induction film-feeding greatly reduces the waste of film;
- 封切与收缩合体式设计使得圆形产品顺利过渡；
The integrated design of sealing and shrinking makes the transition of circular products smooth;
- 进料输送带专为圆形产品定做的直进式进料方式。
Feeding conveyor is customized for the round products with straight feeding.

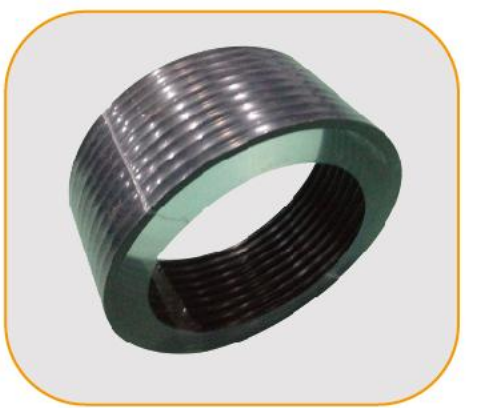
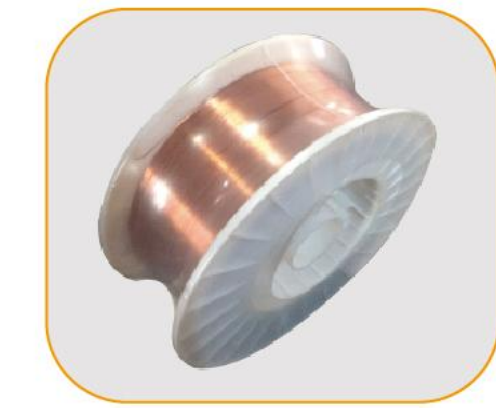
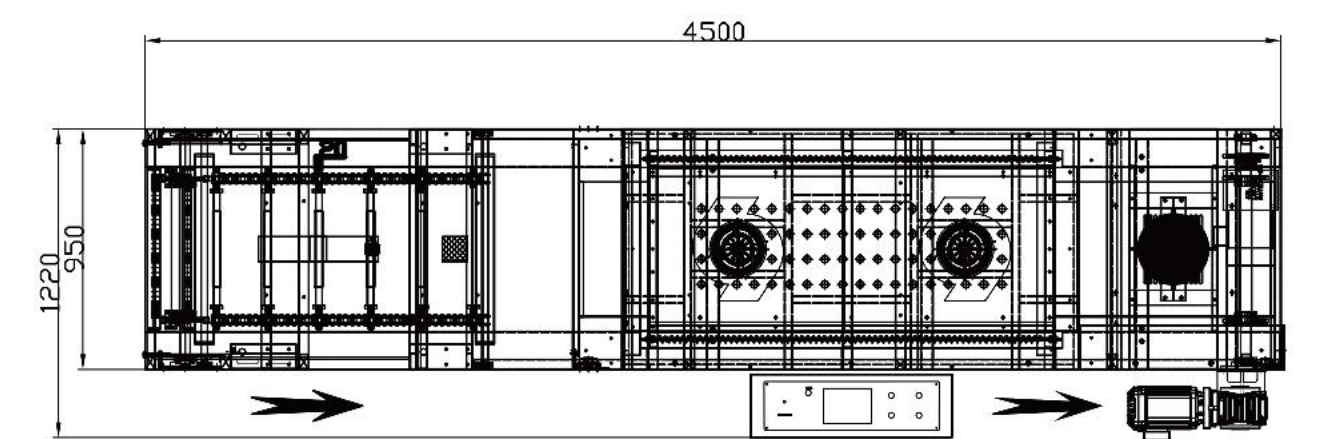
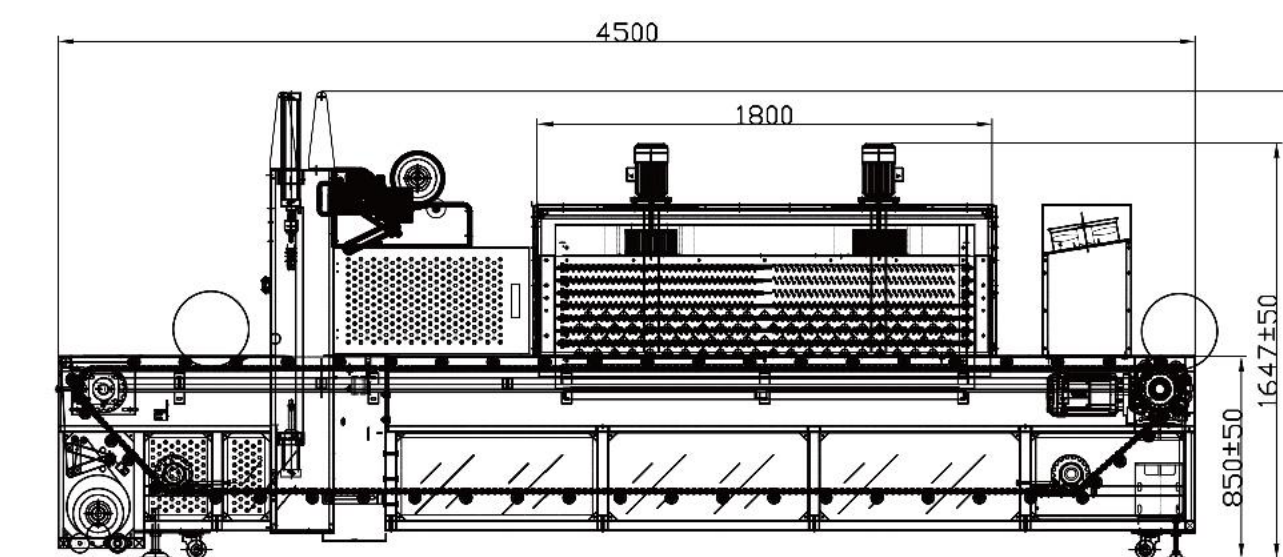


示意图 Layout



技术参数 Technical Parameter

型号 Model	GH-6030AC+SF-6040E	炉腔尺寸 Chamber Size	1800 x 600 x 400mm
功率 Power	28kw	电源 Power Supply	AC 220/380V 3PH 50/60HZ
最大包装尺寸 Max. Packing Size L x W x H	φ250mm H100mm	横封刀长度 Cross Blade Size	350mm
包装速度 Packing Speed	0~12/min.	外接气源 External Air Source	5~8 bar
适用收缩膜 Shrink Film	PE	机械尺寸 Machine Size L x W x H	4500 x 1220 x 1850mm
木箱尺寸 Crate Size L x W x H	4600 x 1400 x 2000mm	毛净重 G./N. Weight	1300/1200kgs

全自动垂直袖口封切收缩机(直线型)

Fully-auto Vertical Sleeve Sealer & Shrink Tunnel (Linear Type)



产品特点 Product Features

- 直线式运行结构；
Linear operation structure;
- 配置金属链板作为输送载体运行，可满足高温状态携带产品进入热缩炉腔；
The configuration of metal chain plate as the conveying carrier can meet the high temperature state to carry products into the shrink chamber;
- 采用垂直式两个薄膜卷布置，方便装机更大的薄膜卷规格；
Vertical arrangement of two film rolls is adopted to facilitate the installation of larger film rolls;
- 投料点与下料点均可人工或机械手实现；
The feeding and the discharging can be realized by manual or mechanical arm;
- 适应多种材质薄膜，根据不同要求匹配对应刀具进行调换；
The surface of the blade with special coating to reduce the adhesion of welding waste on the surface of the tool during film welding;
- 采用传感器和定位模具的双重安全保护，确保封切时贵重产品不受机器损伤。
Adopt the dual safety protection of sensor and positioning mold to ensure that valuable products are not damaged during sealing.

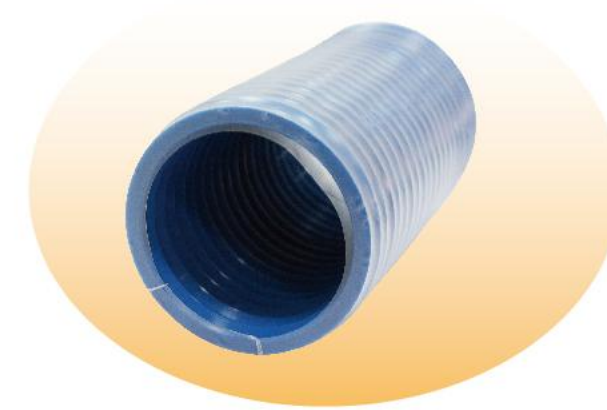
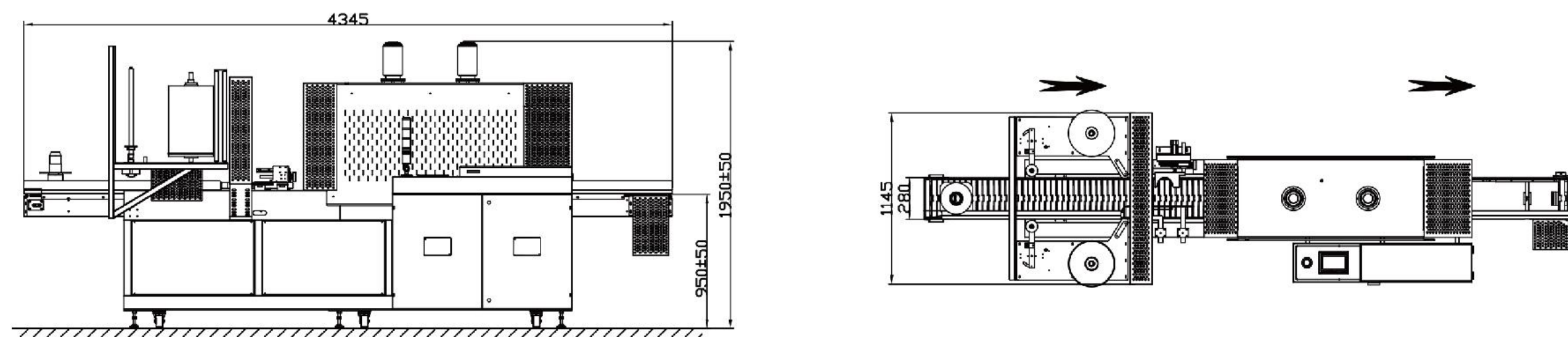


示意图 Layout



技术参数 Technical Parameter

型号 Model	GH-6030CY+SF-2050	外接气源 External Air Source	5~8 bar
功率 Power	15kw	电源 Power Supply	AC 220/380V 3PH 50/60HZ
最大包装尺寸 Max. Packing Size	φ50-160mm W≤250mm	竖封刀高度 Vertical Blade Height	500mm
最大膜卷外径 Max Outer Dia. of Film Roll	300mm	工作台高度 Working Table Height	950 ± 50mm
炉腔尺寸 Chamber Size L x W x H	1250 x 200 x 500mm	包装速度 Packing Speed	0~15m/min.
适用收缩膜 Shrink Film	POF	机械尺寸 Applicable Film Machine Size L x W x H	4345 x 1145 x 1920mm
木箱尺寸 Crate Size L x W x H	4445 x 1245 x 2120mm	毛净重 G./N. Weight	900/800kgs

全自动垂直袖口封切收缩机(环型)

Fully-auto Vertical Sleeve Sealer & Shrink Tunnel (Circle Type)



产品特点 Product Features

- 循环式运行结构；
Circulating operation structure;
- 垂直刀具采用优质钢材加工，减少加热后的刀具变形提高设备稳定性；
Vertical sealing bar is processed with high quality steel to reduce the change of the blade after heating and improve the stability of equipment;
- 采用专用模具，确保包装过程无其他污染接触产品，不伤害产品；
Special molds are used to ensure that the packaging process has no other contaminated contact with products and does not damage products;
- 薄膜卷设计有缺膜预警功能，能在薄膜卷即将完毕时提示人员更换；
The film roll design has the film-lack warning function which can remind workers to change;
- 热缩部分采用热风循环加热技术，在加热过程中重复利用能源，以减少碳排放量。
The heat shrink section uses hot air circulation heating technology, which reuses energy in the heating process to reduce carbon emissions.

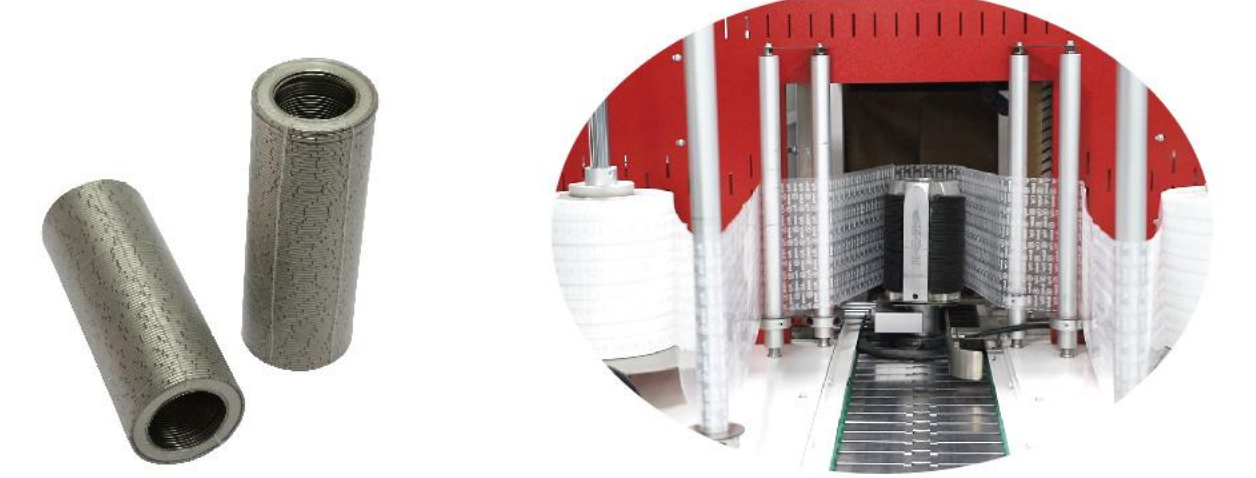
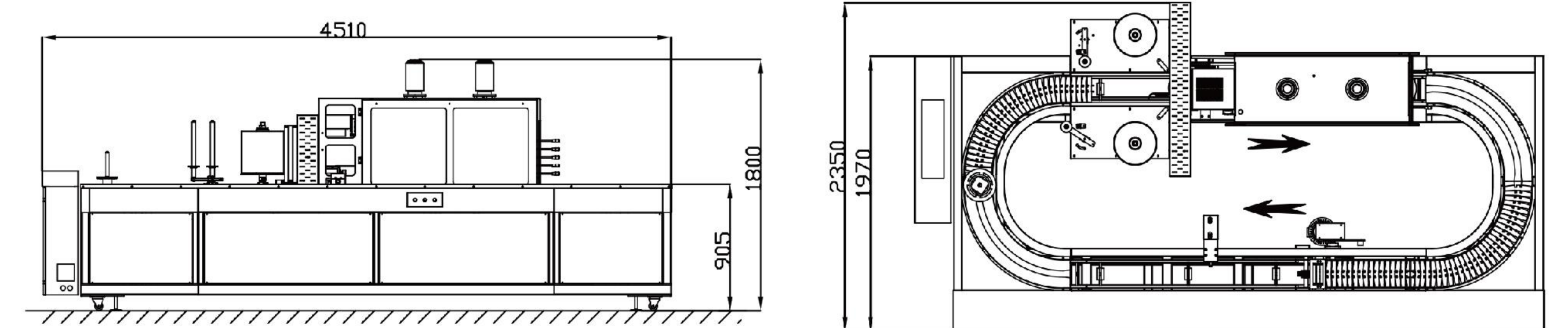


示意图 Layout



技术参数 Technical Parameter

型号 Model	GH-6030AY+SF-2050E	外接气源 External Air Source	5~8 bar
功率 Power	15kw	电源 Power Supply	AC 220/380V 3PH 50/60HZ
包装尺寸 Packing Size	φ40-210mm H≤250mm	竖封刀高度 Vertical Blade Height	500mm
炉腔尺寸 Chamber Size L x W x H	1250 x 200 x 500mm	包装速度 Packing Speed	0~20/min.
最大膜卷外径 Max Outer Dia. of Film Roll	300mm	工作台高度 Working Table Height	900 ± 25mm
适用收缩膜 Shrink Film	PE	机械尺寸 Applicable Film Machine Size L x W x H	4510 x 2350 x 1800mm
木箱尺寸 Crate Size L x W x H	4610 x 2450 x 1950mm	毛净重 G./N. Weight	1960/1870kgs

行李包装机

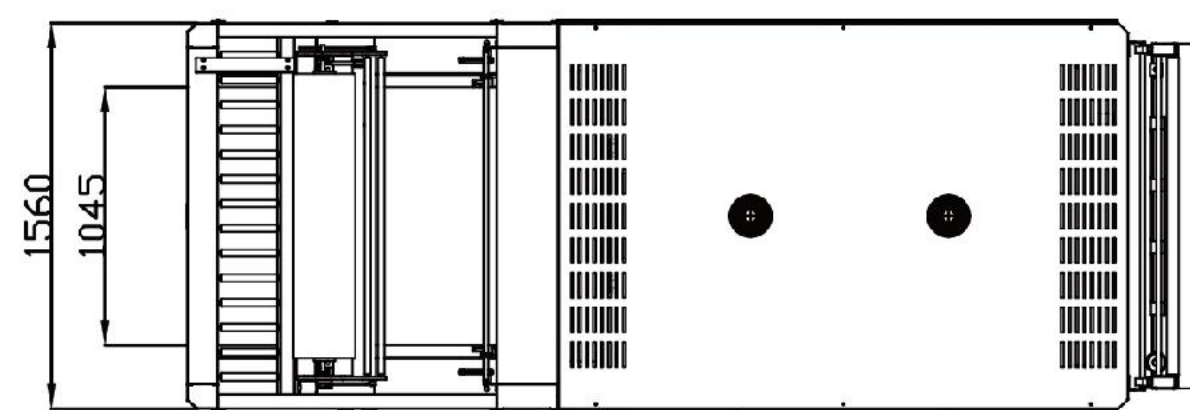
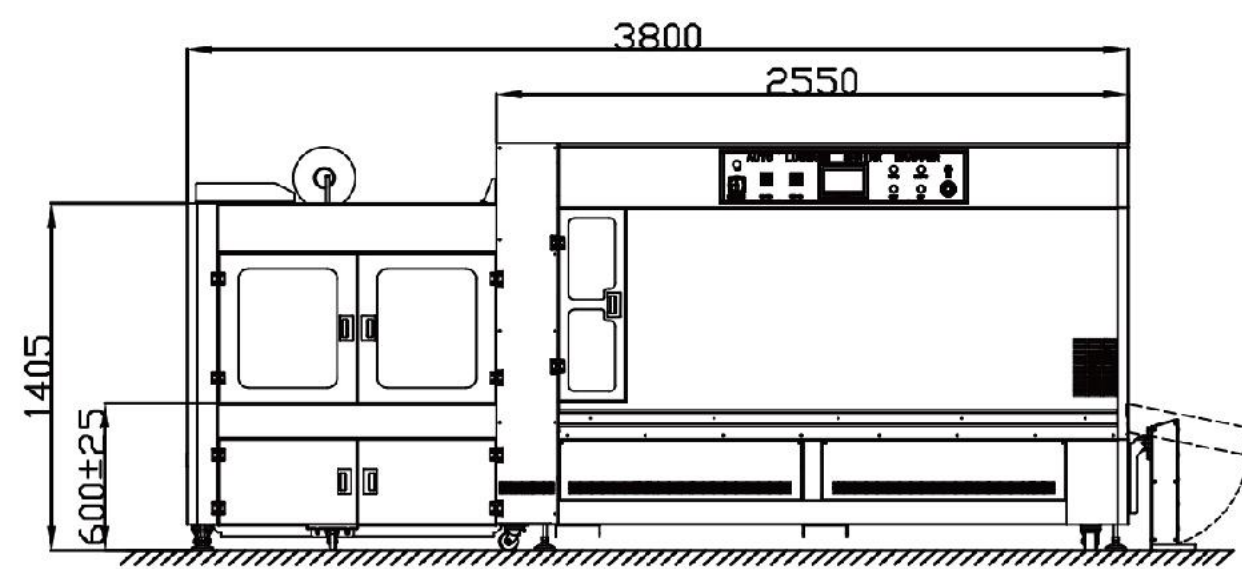
Luggage Shrink Wrapper



产品特点 Product Features

- GH-6030ETA型自动行李包装机是一款用于收缩包装行李、包裹的专用设备。主要运用在机场、车站、码头等场合；
GH-6030ETA Automatic Luggage Shrink Wrapper is a dedicated device for the shrink wrapping of luggage and parcels, mainly applied in airports, stations, docks and other such locations;
- 无需使用空压机，低噪音运行；
No air compressor required and low noise operation;
- 采用一体式的直线设计，结构紧凑、便于设备转运及占地面积较小；
It adopts an integrated linear design with a compact structure, facilitating equipment transfer and requiring a small floor space;
- 功能设置中有多种模式，可单独进料、连续进料或手动进料等。
It features multiple modes in function settings, supporting single feeding, continuous feeding, manual feeding and other options.

示意图 Layout



技术参数 Technical Parameter

型号 Model	GH-6030ETA	SF-12560E
功率 Power	15kw	17kw
电源 Power Supply	AC 380V 3PH 50/60HZ	
包装尺寸 Packing Size L x W x H	1000 x 400 x 600mm	炉腔尺寸 Chamber Size L x W x H 1800 x 1250 x 600mm
横封刀尺寸 Cross Blade Length	1250mm	/
包装速度 Packing Speed	0~17m/min.	0~15m/min.
工作台高度 Working Table Height	600 ± 10mm	
适用收缩膜 Shrink Film	PE	
机械尺寸 Machine Size L x W x H	2550 x 1560 x 1405mm	2550 x 1560 x 1649mm
木箱尺寸 Crate Size L x W x H	2650 x 1610 x 1555mm	2750 x 1650 x 1750mm
毛净重 G./N. Weight	550/450kgs	700/600kgs

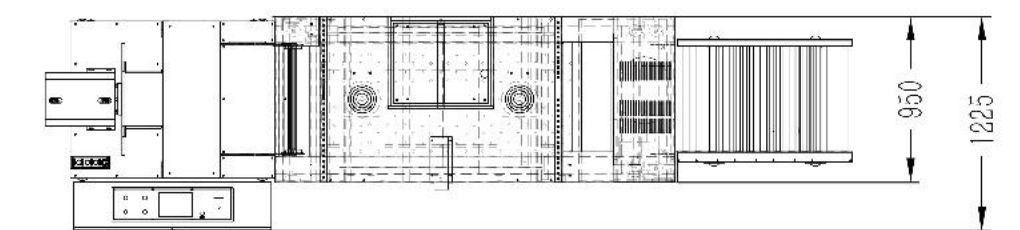
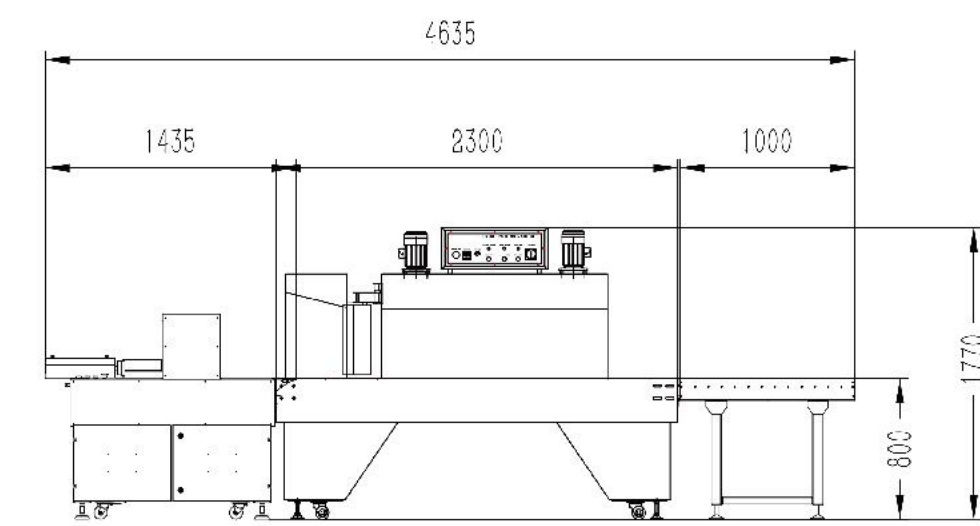
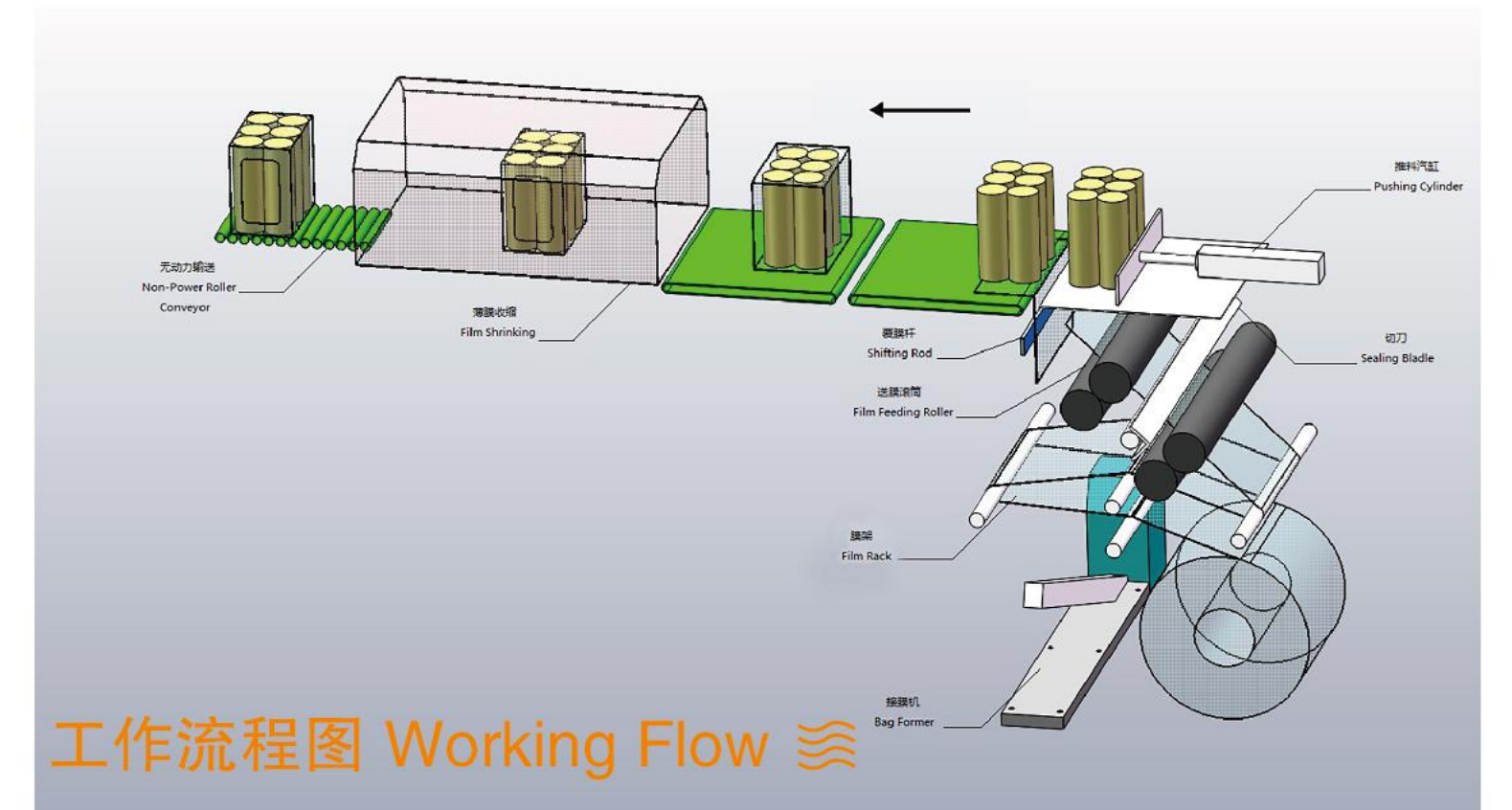
半自动膜包机

Semi-auto Film Shrink Wrapper



产品特点 Product Features

- 该机为半自动设备并具备使用彩膜功能；
This machine is a semi-automatic device with a color film application;
- 采用置底式薄膜卷布置，方便装机更大的薄膜卷规格。同时配备手动薄膜熔接和切换功能，实现短时间停机状态下耗材更换；
The bottom-mounted film roll configuration allows for the installation of larger-specification film rolls. Meanwhile, it is equipped with manual film welding and switching functions, enabling quick consumable replacement during short downtime periods;
- 伺服电机驱动，提高了产品包装过程中的运行速度和封切速度。
Servo motor drive which enhances the running speed and sealing & cutting speed during the product packaging process.

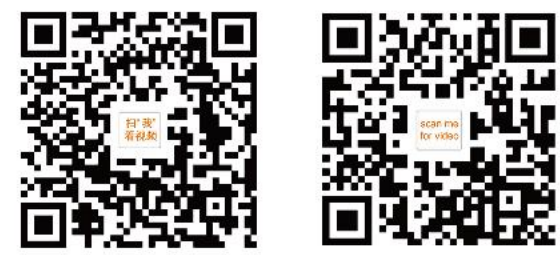


技术参数 Technical Parameter

型号 Model	GH-6030BM	SF-6040E
功率 Power	2kw	28kw
电源 Power Supply	AC 220V 1/3PH 50/60HZ	AC 380V 3PH 50/60HZ
包装尺寸 Packing Size L x W x H	400 x 400 x 250mm	炉腔尺寸 Chamber Size L x W x H 1800 x 600 x 400mm
切刀尺寸 Cutter Length	600mm	/
包装速度 Packing Speed	4~6m/min.	
工作台高度 Working Table Height	800 ± 25mm	
适用收缩膜 Shrink Film	PE	
机械尺寸 Machine Size L x W x H	1200 x 1225 x 1170mm	2300 x 950 x 1700mm
木箱尺寸 Crate Size L x W x H	1300 x 1325 x 1320mm	2350 x 1140 x 1850mm
毛净重 G./N. Weight	360/300kgs	630/555kgs

半自动袖口式封切收缩包装机

Semi-auto Sleeve Sealer & Shrink Tunnel



产品特点 Product Features

- GH-6030: 适用于单个或者组合包装;
It is suitable for single or grouping packing;
- 下置隐藏式推料驱动不妨碍操作;
Bottom-mounted concealed pusher drive for unobstructed operation;
- GH-6030ET: 一体式设计更加节约空间, 适合单个包装;
The design of 2 in 1 sleeve wrapper saves space;
- 无需气源。
No air supply required.



技术参数 Technical Parameter

型号 Model	GH-6030 670mm	GH-6030 800mm	GH-6030 1000mm	GH-6030 1300mm	SF-6040E
功率 Power	2kw	2kw	3.2kw	4kw	28kw
电源 Power Supply	AC 220V 1/3PH 50/60HZ				AC 220/380V 3PH 50/60HZ
包装尺寸 Packing Size L x W x H	300 x 500 x 300mm	400 x 600 x 380mm	500 x 800 x 380mm	800 x 1000 x 500mm	炉腔尺寸 Chamber Size L x W x H 1800 x 600 x 400mm
包装速度 Packing Speed	5~8m/min.				
工作台高度 Working Table Height	825 ± 25mm				
外接气源 External Air Source	5~8 bar				
适用收缩膜 Shrink Film	PE				
机械尺寸 Machine Size L x W x H	1000 x 850 x 2050mm	1330 x 980 x 1815mm	1330 x 1180 x 1815mm	1330 x 1380 x 1815mm	2800 x 950 x 1700mm
木箱尺寸 Crate Size L x W x H	1200 x 1050 x 2220mm	1430 x 1080 x 1965mm	1430 x 1280 x 1965mm	1430 x 1580 x 1965mm	2950 x 1140 x 1850mm
毛净重 G./N. Weight	360/300kgs	430/370kgs	540/480kgs	700/630kgs	630/555kgs

技术参数 Technical Parameter

型号 Model	GH-6030ET
功率 Power	16kw
电源 Power Supply	AC 220/380V 3PH 50/60HZ
最大包装尺寸 Max. Packing Size	250 x 400 x 250mm
炉腔尺寸 Chamber Size L x W x H	1000 x 600 x 400mm
横封刀长度 Cross Blade Length	570mm
最大膜卷外径 Max. outer Dia of Film Roll	300mm
包装速度 Packing Speed	5~8m/min.
外接气源 External Air Source	5~8 bar
适用收缩膜 Shrink Film	PE
机械尺寸 Machine Size L x W x H	2900 x 930 x 1772mm
木箱尺寸 Crate Size L x W x H	2950 x 980 x 1922mm
毛净重 G./N. Weight	625/525kgs



一体式袖口收缩机 Comb Sleeve Wrapper



二合一收缩机

2 in 1 Shrink Wrapper



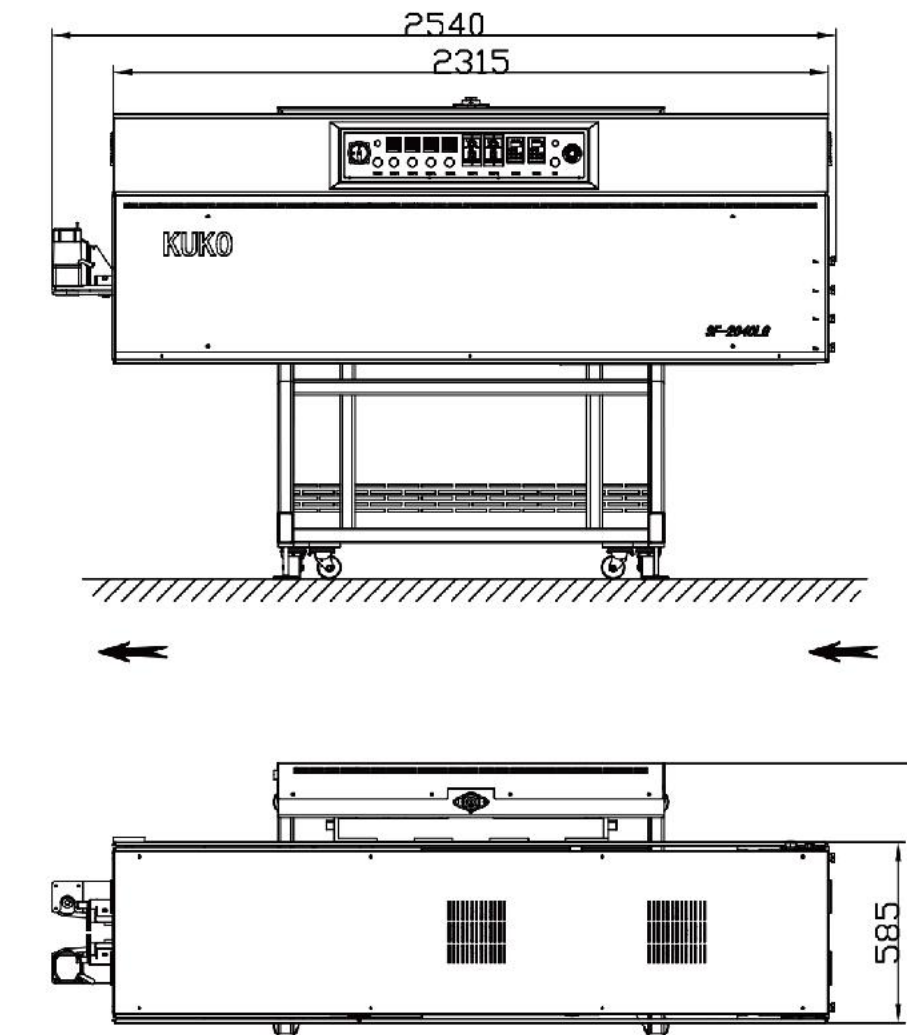
产品特点 Product Features

- 采用独立式设计, 配备热丝切断装置和加热腔, 这款设备堪称满足您包装需求的小型一站式解决方案, 非常适合入门级收缩包装使用;
Featuring an independent design and equipped with a heating wire device and a heating chamber, this equipment is a small one-stop solution for your packaging needs. It is highly suitable for entry-level shrink packaging;
- 封口与收缩一体完成;
Sealing and shrinking in one operation;
- 防护罩压紧及自动释放功能;
Protective cover hold down and automatic release;
- 配备带微处理器和固态继电器的控制面板, 可对机器所有操作进行简单精确的控制。
Equipped with control panel with microprocessor and solid-state relays, that allow a simple and precise control of all the machine operations.



大圆罐标签收缩机

Big Round Jar Label Shrink Tunnel



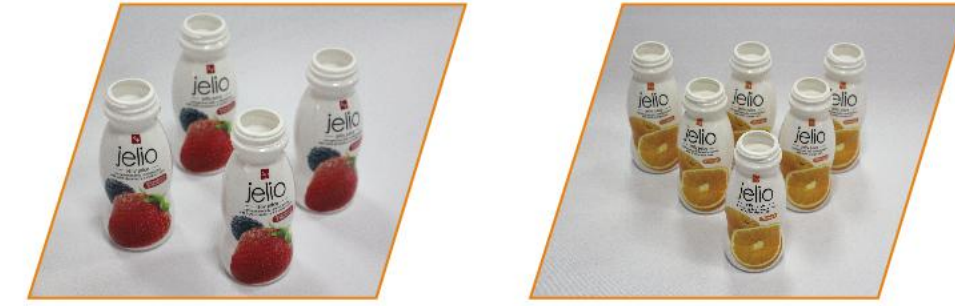
技术参数 Technical Parameter

型号 Model	SF-3246	SF-4255	SF-2040NL
功率 Power	2kw	2kw	16kw
电源 Power Supply	AC 220V 1/3PH 50/60HZ		AC 220/380V PH 50/60HZ
封口尺寸 Sealing Size W x L	320 x 460mm	420 x 550mm	Max. Packing Size φ200 x 320mm
包装速度 Packing Speed	3~5pcs/min.		20~40m/min.
适用收缩膜 Shrink Film	POF		炉腔尺寸 Chamber Size L x W x H 2200 x 230 x 400mm
机械尺寸 Machine Size L x W x H	1150 x 690 x 1200mm	1850 x 750 x 1235mm	2540 x 890 x 1565mm
木箱尺寸 Crate Size L x W x H	1200 x 770 x 1350mm	1890 x 900 x 1350mm	2590 x 940 x 1715mm
毛净重 G./N. Weight	155/115kgs	185/145kgs	400/360kgs



标签收缩包装机

Label Shrink Tunnel



产品特点 Product Features

- 专为各类瓶型，杯型独特设计，收缩后标签光滑均匀，不变形：
This machine is unique design for all kinds of bottles and cups. The label will be smooth without deformation after shrinking;
- 本系列机型采用热风循环收缩系统，主要是针对瓶状，罐状，桶状，杯状等产品的标签收缩，同时也可以收缩瓶身及瓶底：
These series of models use hot air circulation shrink systems, mainly for shrink label bottle-shaped, jars, cups etc. But, also can shrink the bottle body and bottom;
- 适用于食品、饮料、药品、化妆品、农药等行业的玻璃瓶、塑料瓶、纸杯等容器套标后的瓶身或杯身标签热收缩。
It is widely used in the bottle or cup body of beverages, pharmaceuticals, cosmetics, pesticides and other industries' glass bottles, plastic bottles, cups and other containers.



技术参数 Technical Parameter

型号 Model	SF-1230	SF-2040	SF-1230R	SF-2040R
功率 Power	12kw	15kw	12kw	15kw
电源 Power Supply	AC 220/380V 3PH 50/60HZ			
最大包装尺寸 Max. Packing Size	φ100 x 280mm	φ200 x 400mm	φ100 x 280mm	φ200 x 400mm
炉腔尺寸 Chamber Size L x W x H	1500 x 120 x 300mm	1500 x 250 x 400mm	1500 x 120 x 300mm	1500 x 250 x 400mm
适用收缩膜 Shrink Film	PVC/PET			
机械尺寸 Machine Size L x W x H	1800 x 750 x 1760mm	1800 x 450 x 1500mm	2500 x 500 x 1450mm	2500 x 630 x 1450mm
木箱尺寸 Crate Size L x W x H	1900 x 800 x 1910mm	1900 x 500 x 1650mm	2550 x 550 x 1550mm	2550 x 680 x 1600mm
毛净重 G./N. Weight	270/240kgs	300/270kgs	380/330kgs	410/360kgs

热收缩包装机

Shrink Wrapping Machine



产品特点 Product Features

- 采用进口施耐德变频器无级调速，调速性能稳定：
The use of French Schneider inverter controls transmission speed which has the function of infinite speed;
- 输送采用新型辊轴，外套进口纤维套管，耐高温、耐磨损、不烫膜、不变形、可长久使用：
The conveyor uses new types of rollers covered with durable imported fiber tubes which have the functions of anti-high temperature, wear resistance, non-film damage, non-deforming and long terms using;
- 不锈钢网带或特氟龙网带备选：
Stainless steel mesh conveyor or teflon mesh conveyor as an option;
- 精品炉的可视窗使得收缩过程清晰可见。
Visual window of premium shrink tunnel makes the shrinking process clearer.



气弹簧款 Pneumatic Spring Model



技术参数 Technical Parameter

型号 Model	SF-4525	SF-5030	SF-5030LG	SF-8030LG
功率 Power	9kw	12kw	16kw	25kw
电源 Power Supply	AC 220/380V 3PH 50/60HZ			
炉腔尺寸 Chamber Size L x W x H	1000 x 450 x 250mm	1300 x 500 x 300mm	1500 x 500 x 300mm	2000 x 800 x 300mm
包装速度 Packing Speed	0~20m/min.	0~20m/min.	0~25m/min.	0~25m/min.
适用收缩膜 Shrink Film	POF			
机械尺寸 Machine Size L x W x H	1300 x 720 x 1500mm	1600 x 850 x 1590mm	1800 x 985 x 1260mm	2400 x 1350 x 1290mm
木箱尺寸 Crate Size L x W x H	1700 x 800 x 1250mm	1700 x 900 x 1740mm	1900 x 1085 x 1460mm	2500 x 1450 x 1490mm
毛净重 G./N. Weight	315/245kgs	410/365kgs	485/450kgs	750/630kgs

收缩包装机

Shrink Wrapping Machine



产品特点 Product Features

- SF-6040E采用双运风电机，炉腔内热风量均匀，收缩后效果美观；
SF-6040E using imported double air circulation motors, so that the hot air in the oven can spread more evenly to get a good shrink effect;
- 采用实心钢杆外包进口硅胶管，链杆式输送，硅胶经久耐用，其中SF-6040E可添加密轴功能、专为包装体积比较小的产品而设计；
Chain bar conveying, using solid steel tube covered with durable imported silicone tube. SF-6040E can add density bar roller function which specially designed for small product;
- 输送采用法国施耐德变频器控制传送速度，无级调速；炉身长度短，可大大减小整机功率，同时保证良好的包装效果。
Adopting French Schneider inverter controls transmission speed which has the function of infinitive speed; The chamber length is short which can greatly reduce the machine power, at same time it maintains good packing effect.



技术参数 Technical Parameter

型号 Model	SF-6040E	SF-8060E	SF-13040E
功率 Power	28kw	28kw	55kw
电源 Power Supply	AC220/380V3PH 50/60HZ		
炉腔尺寸 Chamber Size L x W x H	1800 x 600 x 400mm	1800 x 800 x 600mm	2500 x 1300 x 400mm
包装速度 Packing Speed	0-15m/min.		
适用收缩膜 Shrink Film	PE		
机械尺寸 Machine Size L x W x H	2800 x 950 x 1700mm	2850 x 1350 x 1900mm	3500 x 2220 x 1720mm
木箱尺寸 Crate Size L x W x H	2950 x 1140x1850mm	2900 x 1400 x 2050mm	3600 x 2270 x 1870mm
毛净重 G./N. Weight	800/735kgs	850/790kgs	1850/1745kgs

托盘收缩包装机

Pallet Shrink Wrapping Machine

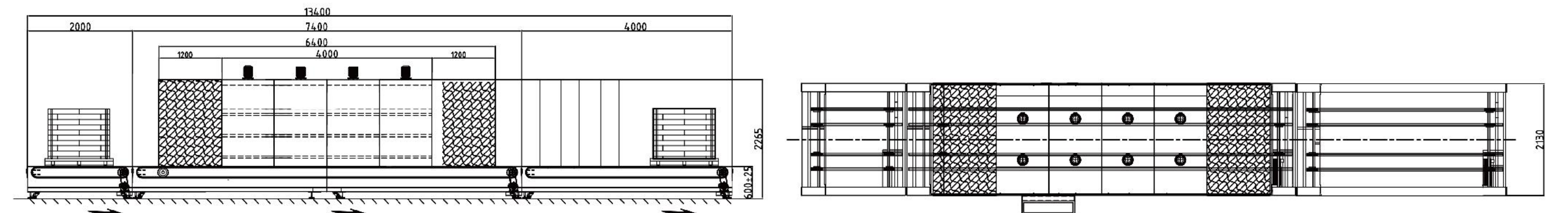


产品特点 Product Features

- 全循环风室有助于维持稳定温度，实现高效收缩；
Fully circulating air chamber helps maintain a consistent temperature for effective shrinking;
- 出料端装配冷却风扇，确保产品收缩后得到充分冷却；
Cooling Fans which installed at the discharge end to ensure the product is cooled properly after shrinking;
- 提供辊筒式、链条式或连板式的输送系统，适用于不同尺寸的产品；
Available in roller, chain types or chain plate type of conveyor system, suitable for various product sizes;
- 分段式可调节温度设置，以优化收缩工艺；
Segmented structure and adjustable temperature settings optimize the shrinking process;
- 备选：入口及出口处安装两个保温门。速度可达：480托每小时。
Option: Install two insulated doors at the entry and exit. Speed: 480 pallets per hour.



示意图 Layout



技术参数 Technical Parameter

型号 Model	SF-TP	炉腔尺寸 Chamber Size L x W x H	6000 x 1180 x 1380mm
功率 Power	90kw	电源 Power Supply	AC 220/380V 3PH 50/60HZ
包装速度 Packing Speed	0-5m/min.	适用收缩膜 Shrink Film	POF
最大托盘尺寸 Max. Pallet Size L x W x H	1200 x 1000 x 1200mm	机械尺寸 Machine Size L x W x H	7400 x 2130 x 2285mm
毛净重 G./N. Weight	4650 / 4200kgs	木箱尺寸 Crate Size L x W x H	7500 x 2230 x 2465mm

封切收缩案例

Sealing & Shrink Wrapping Solutions

经济款套膜机
Economic Stretch Hooding Machine



全封闭水平式双边封切收缩包装机
Fully-closed Horizontal Double Side Sealer & Shrink Tunnel



全封闭（对折膜叠膜式）自动封切收缩包装机
Fully-auto Sealing Machine & Shrink Tunnel (Center-folded Film)



全自动纸钞封切收缩机
Auto Banknote Sealer & Shrink Tunnel



CE款伺服款垂直L型封切收缩包装机
CE Regulation Servo Type Vertical L Bar Sealer & Shrink Tunnel



全自动边封封切收缩机（中速型）
Fully-auto Side Sealer & Shrink Tunnel (Medium Speed)



全封闭套袋包装机
Automatic Bagging Machine



全自动折盒包装机
Automatic Box Folding Packing Machine



卡片包装机
Card Sealer



香盒码垛型封切收缩机
Incense Box Stacking, Sealing & Shrinking Tunnel



对折膜机
Film Folder



在线式整列袖口式封切收缩机
On-line Sleeve Sealer & Shrink Tunnel



封切收缩案例

Sealing & Shrink Wrapping Solutions

经济款高速直进式封切收缩机

Economical High Speed Straight Sleeve Sealer & Shrink Tunnel

GH-6030AZ+SF-6040E



泡沫袖口封切收缩机

Foam Sleeve Sealer & Shrink Tunnel

GH-6030A+SF-12080E



发卡机+整列袖口式封切收缩机

Card Dispenser & Column Type Sleeve Sealer & Shrink Tunnel

SF-300FK+GH-6030AH+SF-6040E



水泥发泡板封切收缩机

Board Stacking, Sealing & Shrinking Tunnel

GH-6030AB+SF-15060E



鼻烟罐袖口封切收缩机

Snus Can Sleeve Sealer & Shrink Tunnel

GH-5030AE+SF-5030E



布卷封切收缩机

Textile Sealing & Shrink Wrapping Machine

GH-6030AT+SF-23050E



后端包装生产线案例

Secondary Packaging Line Solutions

塑料再生材料包装生产线

Plastic Recycled Material Packaging Production Line



EPS发泡包装生产线

EPS Foam Packaging Production Line



物流运输套膜收缩包装生产线

Logistics Conveying Film Shrink Packaging Production Line



保健品包装生产线

Health Products Packaging Production Line



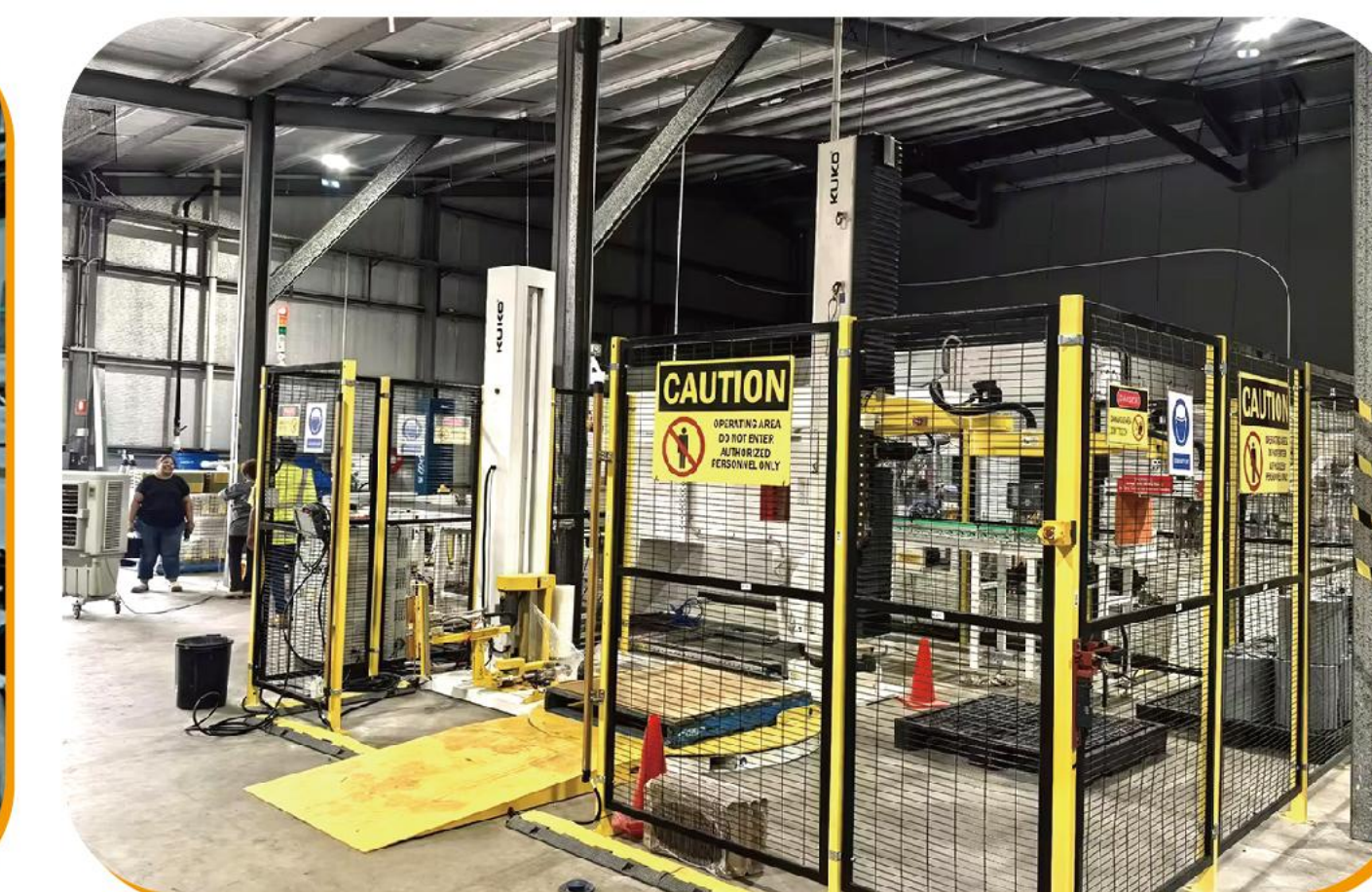
模组锂电池装配PACK输送生产线

Module Lithium Battery Assembly PACK Conveying Production Line



瓦楞纸箱包装生产线

Corrugated Carton Packaging Production Line

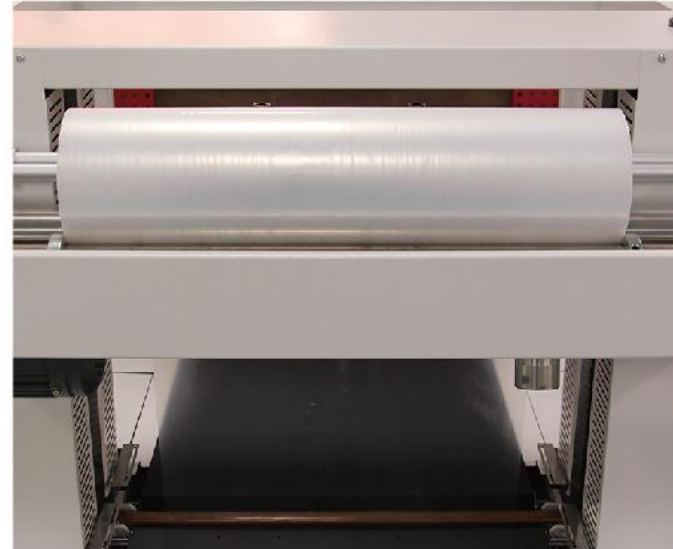


收缩膜

Shrink Film

PE收缩膜

PE Shrink Film



宽度 Width	厚度 Thickness	收缩率 Shrink Ratio	
100mm-5000mm	20μm~250μm	横向 Horizontal 5%-55%	纵向 Vertical 50%-80%
收缩温度 Shrink Temperature	密度 Density	撕裂强度 Tear Strength	
50°C-220°C	0.93g/cm³	横向 Horizontal >40KN/m	纵向 Vertical >40KN/m
断裂伸长率 Elongation	卷心内径 Core Dia.	拉伸强度 Tensile Strength	
>200%	76mm	横向 Horizontal >12MPa	纵向 Vertical ≥12MPa

POF收缩膜

POF Shrink Film

项目 Items	密度 Density	克重 Weight	摩擦系数 Coefficient of Friction	度 Degree	包装面积 Packing Size	断裂伸长率 Elongation	拉伸强度 Tensile Strength	收缩率 Shrink Ratio	热封温度 Sealing Temperature	
单位 Units	g/m³	g/m²	-	%	m²/kg	%	Mpa	%	°C	
测定值 Determination of Index Values	15μm	0.92	13.65	0.2-0.35	2.8	72	105	110	70	120-130
	19μm	0.92	18.20	0.2-0.35	3.0	54	100	105	70	120-130
	25μm	0.92	22.75	0.2-0.35	3.5	43	100	100	70	120-130
	30μm	0.92	27.30	0.2-0.35	3.5	36	100	100	70	120-130



交联膜

Cross-linked Film



项目 Items	密度 Density	克重 Weight	摩擦系数 Coefficient of Friction	度 Degree	包装面积 Packing Size	断裂伸长率 Elongation	拉伸强度 Tensile Strength	收缩率 Shrink Ratio	热封温度 Sealing Temperature	
单位 Units	g/m³	g/m²	-	%	m²/kg	%	Mpa	%	°C	
测定值 Determination of Index Values	15μm	0.92	13.65	0.2-0.35	2.8	72	105	110	70	120-130
	19μm	0.92	18.20	0.2-0.35	3.0	54	100	105	70	120-130
	25μm	0.92	22.75	0.2-0.35	3.5	43	100	100	70	120-130
	30μm	0.92	27.30	0.2-0.35	3.5	36	100	100	70	120-130

冷拉伸膜

Cold Stretch Film

项目 Item	密度 Density	摩擦系数 Coefficient of Friction	拉伸强度 (纵向) Tensile Strength (horizontal)	拉伸强度 (纵向) Tensile Strength (vertical)	断裂拉伸率 (纵向) Strain Elongation (horizontal)	断裂拉伸率 (纵向) Strain Elongation (vertical)	撕裂强度 (纵向) Tearing Strength (horizontal)	撕裂强度 (纵向) Tearing Strength (vertical)
单位 Units	g/m³	-	Mpa	Mpa	Mpa	Mpa	kN/m	kN/m
100μm	0.918	0.20-0.40	28	26	874.8	700	700	50
120μm	0.918	0.20-0.40	31.6	32.5	874.8	886	155.6	148.1



输送机

Conveyor

